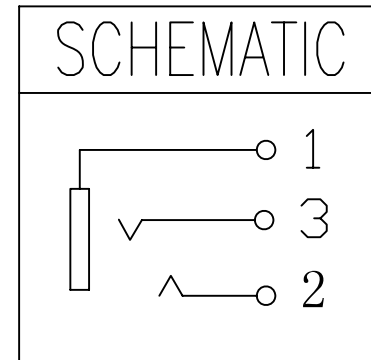
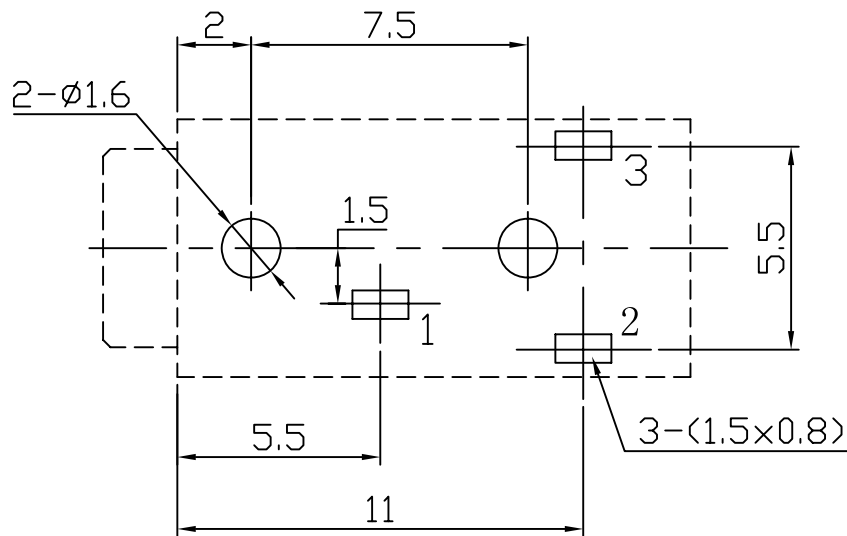
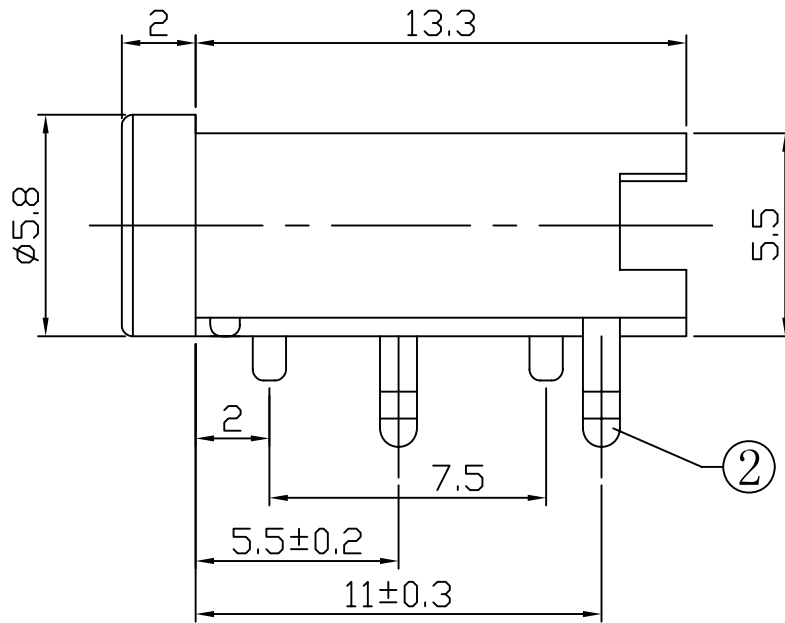
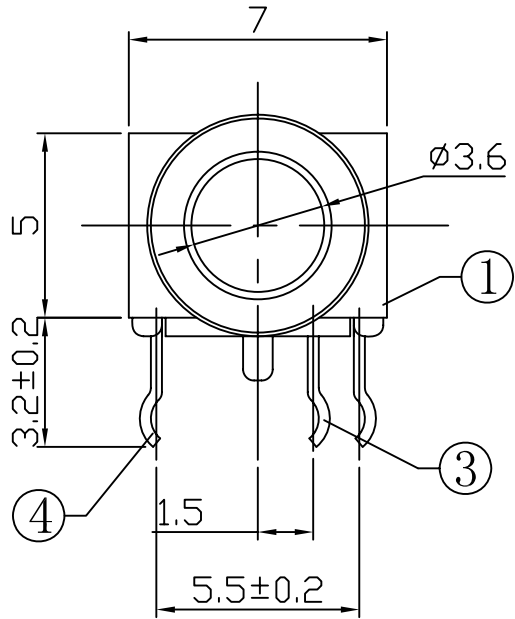


* REVISIONS				
LTR	DESCRIPTION	DATE	REVISED	APPROVED



LEAD FREE

4	3# CONTACT FOOT	1	C5191	t=0.25	Ag	PLATED
3	2# CONTACT FOOT	1	C5191	t=0.25	Ag	PLATED
2	1# CONTACT FOOT	1	C5191	t=0.25	Ag	PLATED
1	HOUSING	1	PBT 4815			UL-94V0
LTR	PART NAME	QTY	MATERIAL		REMARK	
DWN	LILY	DATE	2013.10.24	3RD ANGLE PROJECTION	NAME MINIATURE JACK	
CHKD	ANDY	DATE	2013.10.24		CAT. NO. PJD-035-27D	
APVD	JON	DATE	2013.10.24	UNIT: mm	DWN.NO. A-035-27	
JKCR Electronics Co., Ltd.						001

T:1.6 Dimensions of PC board holes

Tolerance : ±0.05(Printed-top view)

UNLESS OTHERWISE SPECIFIED, TOLERANCE ON DECIMAL: ±0.3