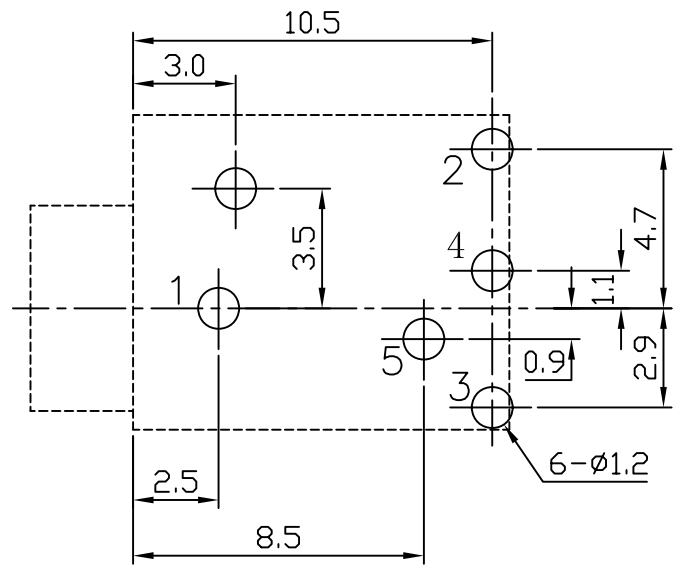
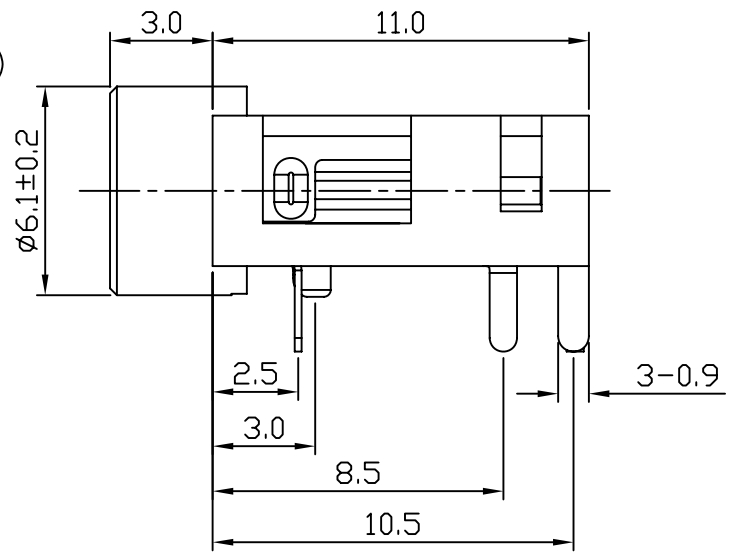
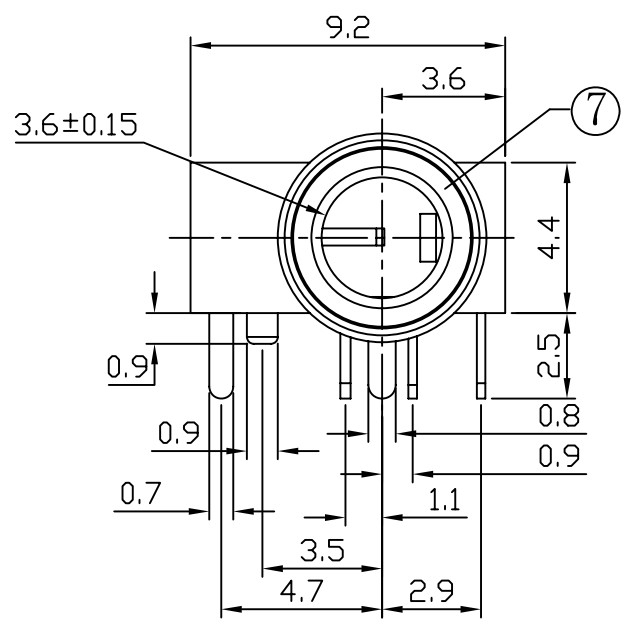
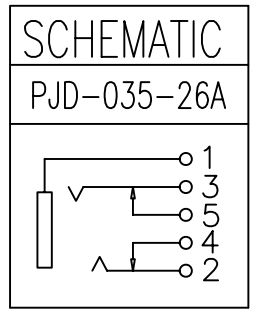
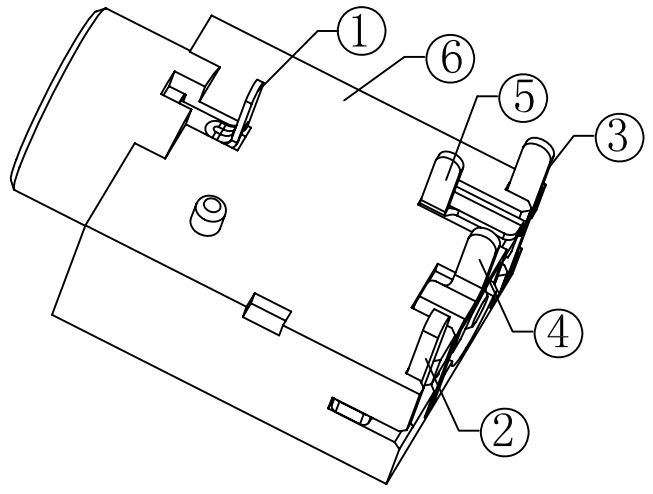


* REVISIONS				
LTR	DESCRIPTION	DATE	REVISED	APPROVED



T:1.6 Dimensions of PC board holes
Tolerance : ±0.05(Printed-top view)



LEAD FREE

7	AXIS SUPPORT	1	H59(COPPER ALLOY)	Sn PLATED
6	HOUSING	1	PBT	UL-94V0(BLACK)
5	CONTACT FOOT	1	C2680 t=0.25	Ag PLATED
4	CONTACT FOOT	1	C2680 t=0.30	Ag PLATED
3	CONTACT FOOT	1	C5191 t=0.25	Ag PLATED
2	SPRING PIECE	1	C5191 t=0.25	Ag PLATED
1	CONTACT FOOT	1	C5191 t=0.20	Ag PLATED

LTR	PART NAME	QTY	MATERIAL	REMARK
DWN	LILY	DATE	2013.05.27	3RD ANGLE PROJECTION NAME MINIATURE JACK CAT. NO. PJD-035-26AB DWN.NO. A-035-26
CHKD	ANDY	DATE	2013.05.27	
APVD	JON	DATE	2013.05.27	
JKCR Electronics Co., Ltd.				001

UNLESS OTHERWISE SPECIFIED, TOLERANCE ON DECIMAL: ±0.3