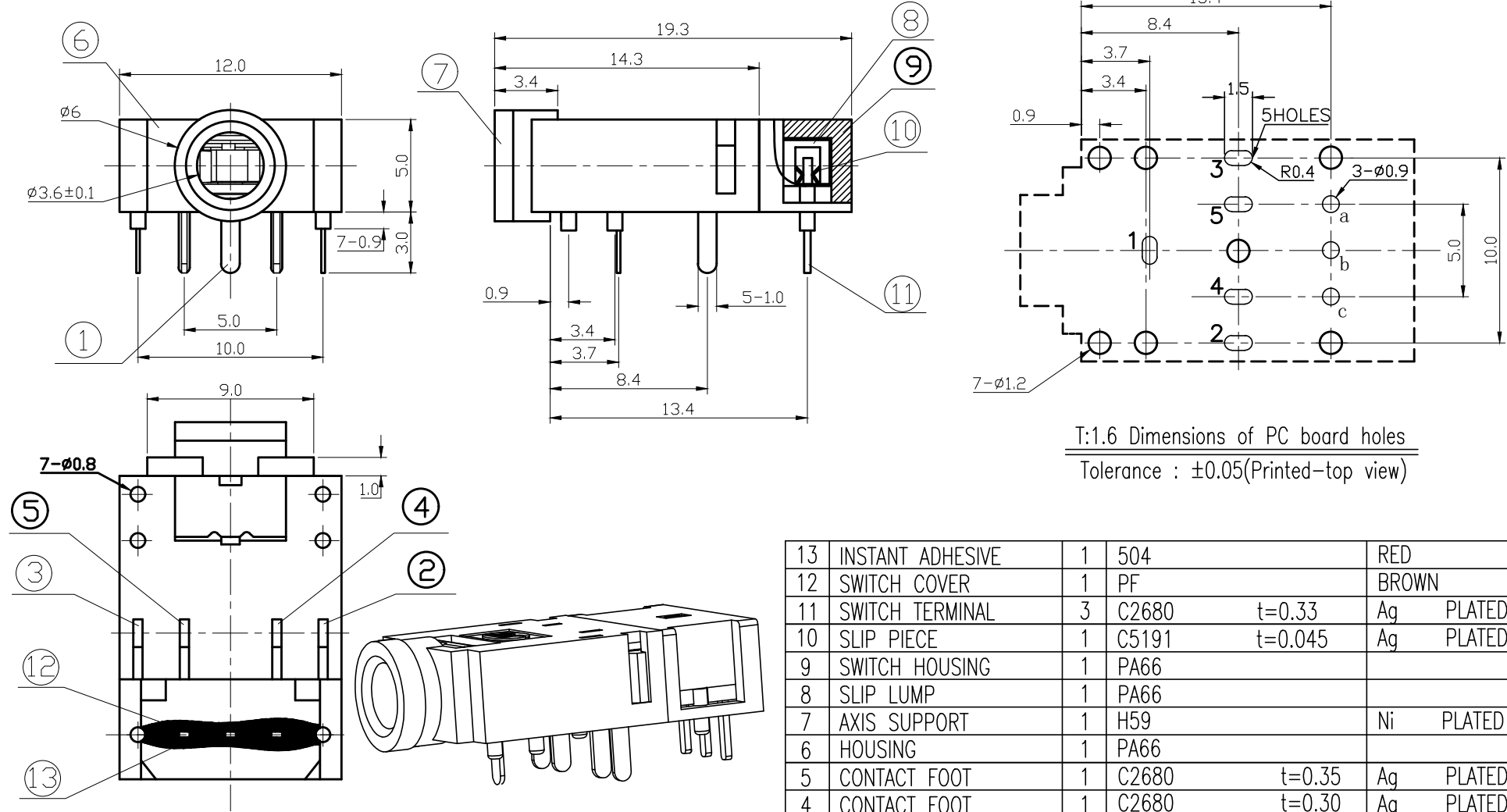
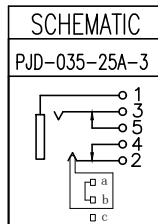


* RoHS COMPLIANT *

* REVISIONS				
LTR	DESCRIPTION	DATE	REVISED	APPROVED



T:1.6 Dimensions of PC board holes
Tolerance : ±0.05(Printed-top view)



UNLESS OTHERWISE SPECIFIED, TOLERANCE ON DECIMAL: ±0.3

13	INSTANT ADHESIVE	1	504		RED
12	SWITCH COVER	1	PF		BROWN
11	SWITCH TERMINAL	3	C2680	t=0.33	Ag PLATED
10	SLIP PIECE	1	C5191	t=0.045	Ag PLATED
9	SWITCH HOUSING	1	PA66		
8	SLIP LUMP	1	PA66		
7	AXIS SUPPORT	1	H59		Ni PLATED
6	HOUSING	1	PA66		
5	CONTACT FOOT	1	C2680	t=0.35	Ag PLATED
4	CONTACT FOOT	1	C2680	t=0.30	Ag PLATED
3	SPRING FOOT	1	C5191	t=0.25	Ag PLATED
2	SPRING FOOT	1	SUS301	t=0.25	Ag PLATED
1	CONTACT FOOT	1	C5191	t=0.25	Ag PLATED
LTR	PART NAME	QTY	MATERIAL		REMARK
DWN	LILY	DATE	2014.05.27	3RD ANGLE PROJECTION	NAME MINIATURE JACK
CHKD	ANDY	DATE	2014.05.27		CAT. NO. PJD-035-25A-3
APVD	JON	DATE	2014.05.27		UNIT: mm
JKCR Electronics Co., Ltd.					DWN.NO. A-035-25
					001