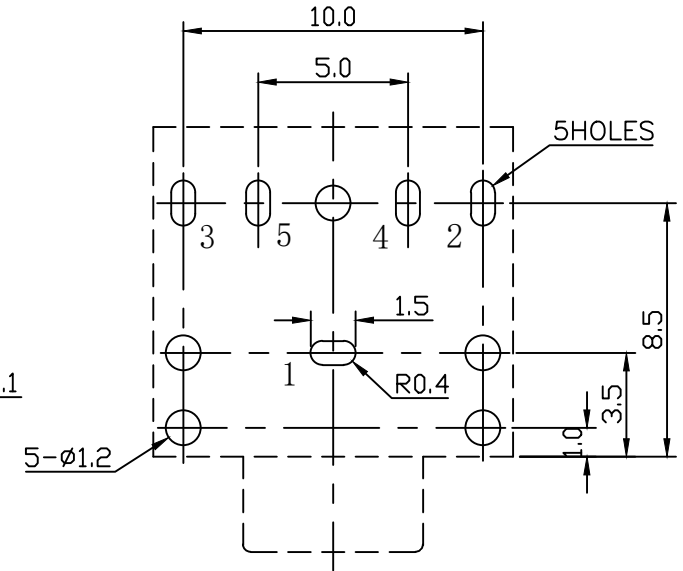
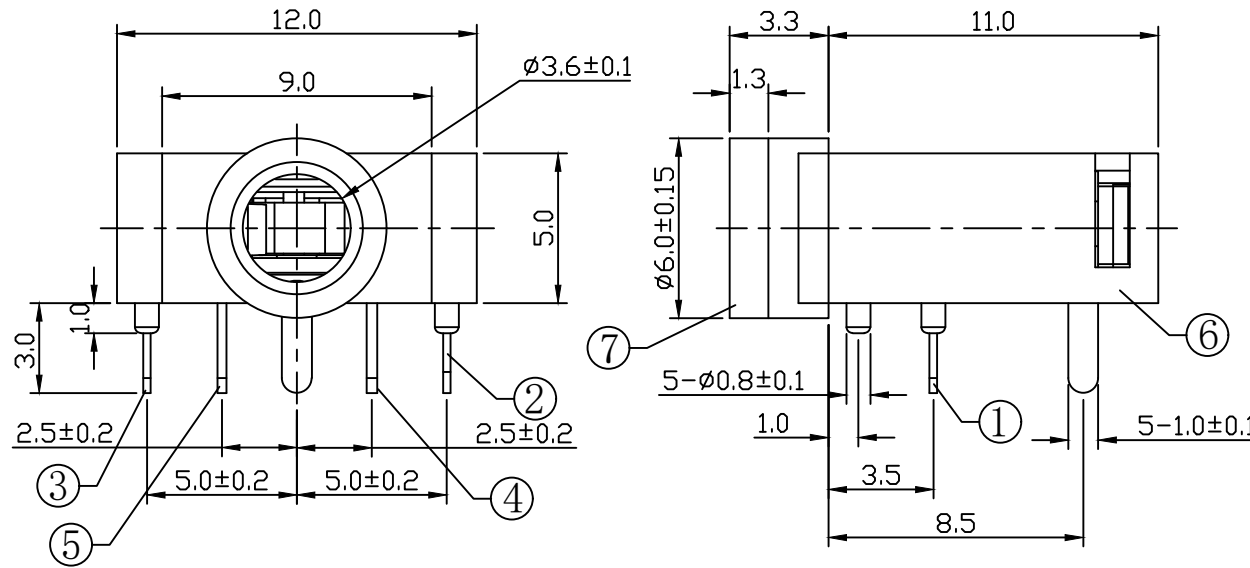
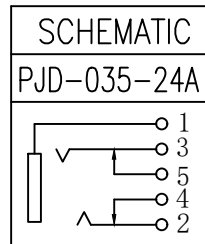
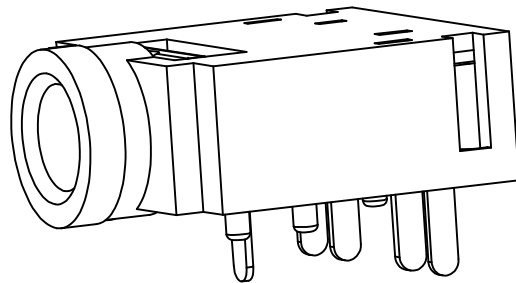


* RoHS COMPLIANT *

		* REVISIONS		
LTR	DESCRIPTION	DATE	REVISED	APPROVED



T:1.6 Dimensions of PC board holes
Tolerance : ± 0.05 (Printed-top view)



UNLESS OTHERWISE SPECIFIED, TOLERANCE ON DECIMAL: ± 0.3

7	AXIS SUPPORT	1	H59(COPPER ALLOY)		Ni	PLATED
6	HOUSING	1	PA66		BLACK	
5	5# TERMINAL	1	C2680	t=0.30	Ag	PLATED
4	4# TERMINAL	1	C2680	t=0.35	Ag	PLATED
3	3# TERMINAL	1	C5191	t=0.25	Ag	PLATED
2	2# TERMINAL	1	C5191	t=0.30	Ag	PLATED
1	1# TERMINAL	1	C5191	t=0.25	Ag	PLATED
LTR	PART NAME	QTY	MATERIAL		REMARK	
DWN	LILY	DATE	2013.05.07	3RD ANGLE PROJECTION	NAME MINIATURE JACK	
CHKD	ANDY	DATE	2013.05.07		CAT. NO. PJD-035-24AB	
APVD	JON	DATE	2013.05.07		UNIT: mm	DWN.NO. A-035-24
JKCR Electronics Co., Ltd.						001