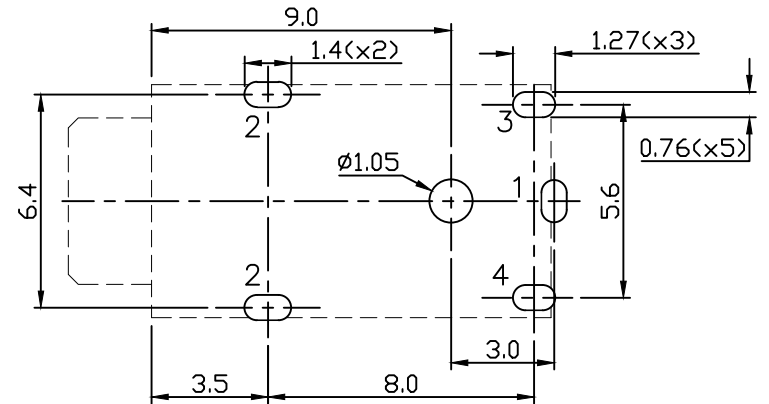
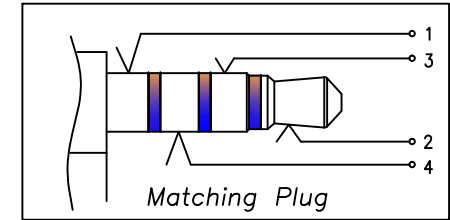
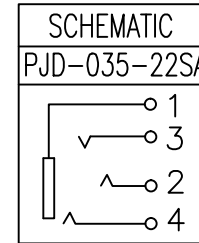
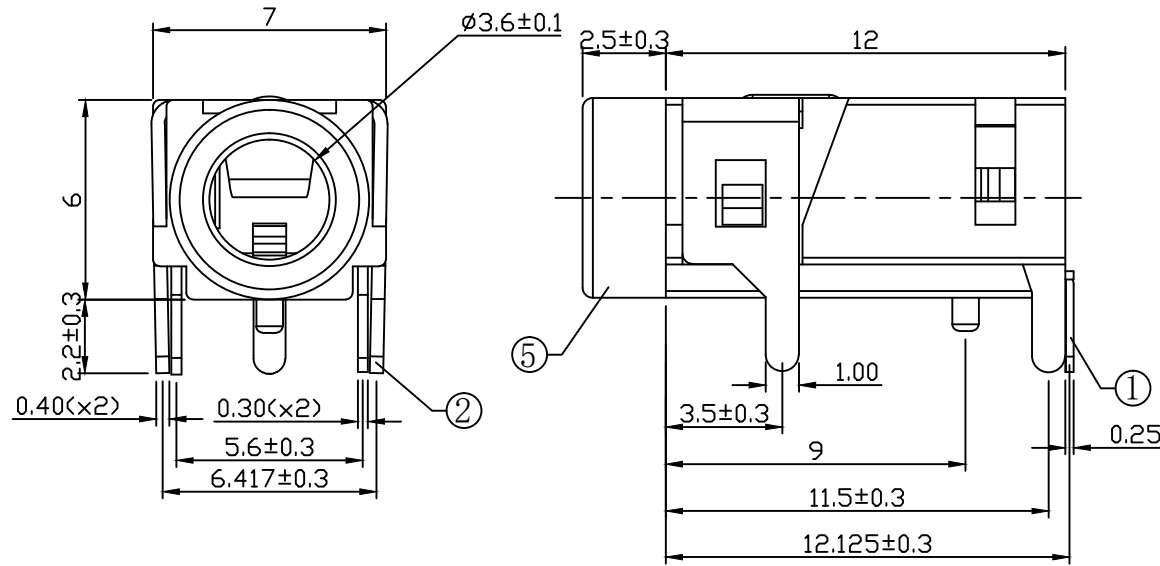


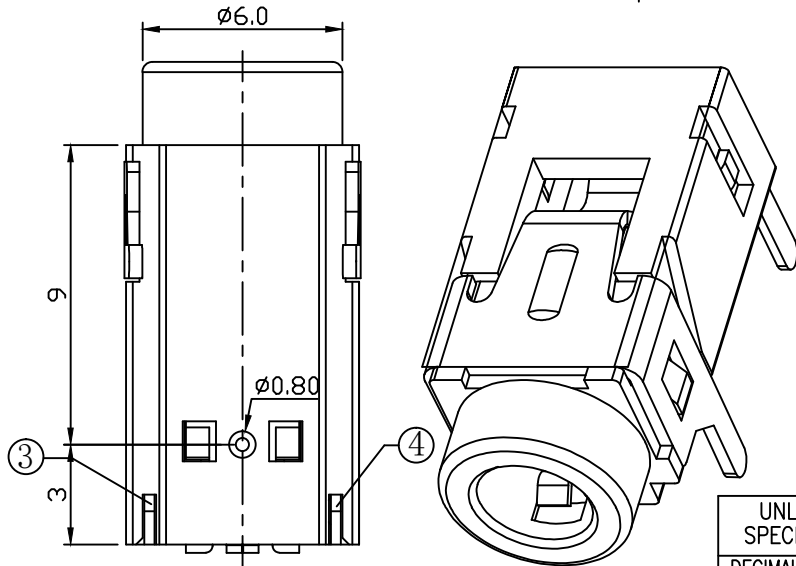
\* RoHS COMPLIANT \*

\* REVISIONS

LTR	DESCRIPTION	DATE	REVISED	APPROVED



T:1.6 Dimensions of PC board holes  
Tolerance : ±0.05(Printed-top view)



5	HOUSING	1	PA9T	UL-94V0(BLACK)
4	RING SPRING	1	C5191 t=0.30	MB:Ni (20u"min) Ag(8u"min) PLATED
3	RING SPRING	1	C5191 t=0.30	MB:Ni (20u"min) Ag(8u"min) PLATED
2	TIP SPRING	1	C2680 t=0.40	MB:Ni (20u"min) Ag(8u"min) PLATED
1	EARTHING SPRING	1	C5191 t=0.25	MB:Ni (20u"min) Ag(8u"min) PLATED
LTR	PART NAME	QTY	MATERIAL	REMARK

UNLESS OTHERWISE SPECIFIED TOLERANCES	
DECIMALS:	ANGLES:
X ± 0.3	X ± 1°
X.X ± 0.2	X.X ± 0.5°
X.XX ± 0.1	
X.XXX ± 0.05	

DWN	LILY	DATE	2017.04.07	3RD ANGLE PROJECTION	NAME	MINIATURE JACK
CHKD	ANDY	DATE	2017.04.07		CAT. NO.	PJD-035-22A-M
APVD	JON	DATE	2017.04.07	UNIT: mm	DWN.NO.	M-035-22 001
JKCR Electronics Co., Ltd.						