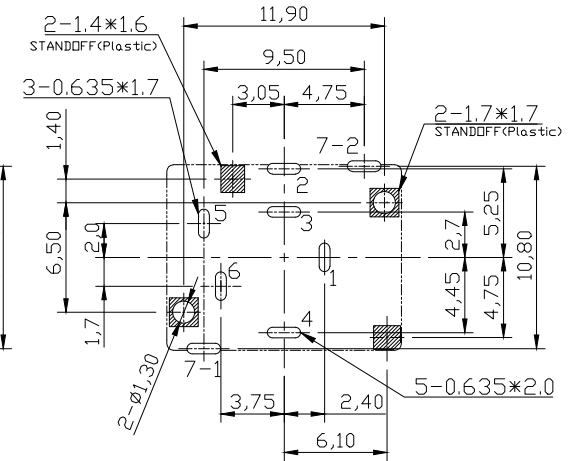
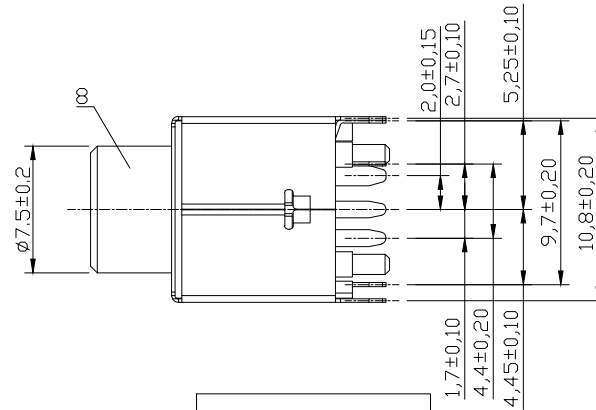
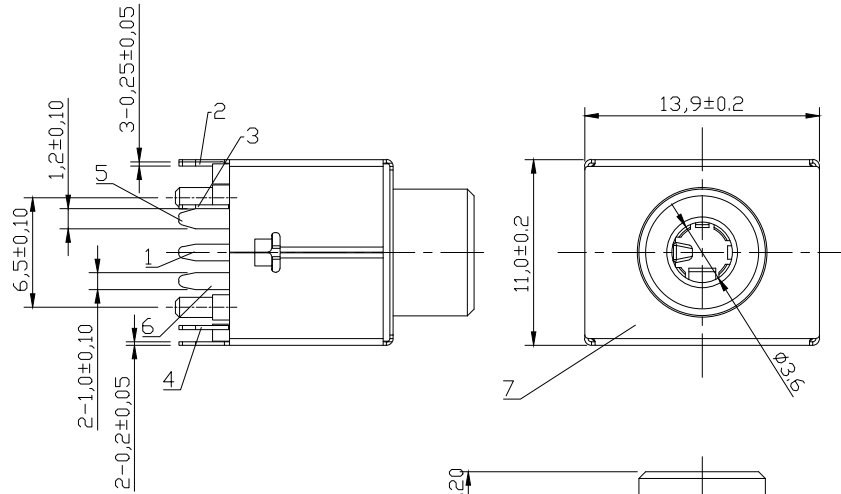


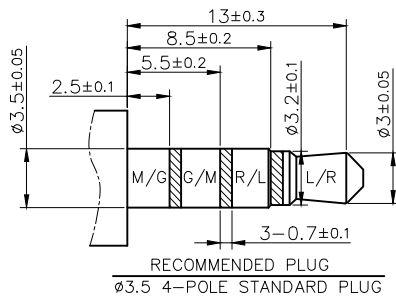
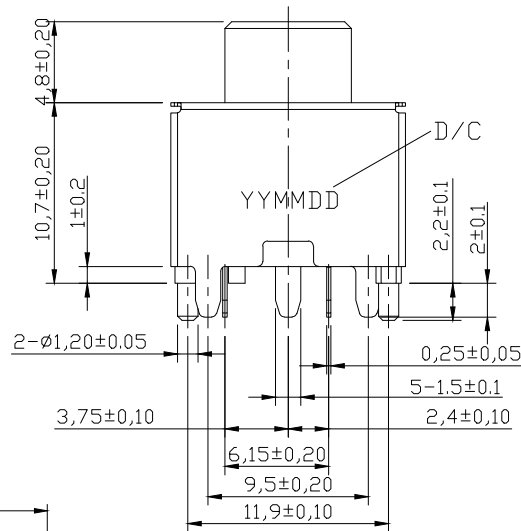
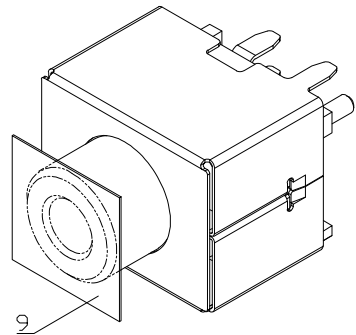
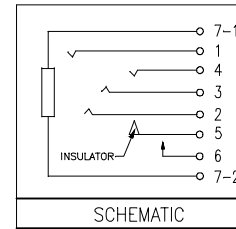
* RoHS COMPLIANT *

* REVISIONS

LTR	DESCRIPTION	DATE	REVISED	APPROVED



RECOMMENDED P.C.B. LAYOUT
UNSPECIFIED TOLERANCE: ±0.05
(TOP VIEW)



9	MYLAR	1	POLYIMIDE TAPE	L9.0*W9.0*T0.12
8	HOUSING	1	PA9T	UL 94V-0(BLACK)
7	SHELL	1	SUS301 T:0.20	Ni(30u"min) PLATED
6	TERMINAL 6#	1	C5210 T:0.25	MB:Ni(20u"min)
5	TERMINAL 5#	1	C5210 T:0.25	Sn(40u"min) PLATED
4	TERMINAL 4#	1	C5210 T:0.25	Tin(40u") PLATED OVER
3	TERMINAL 3#	1	C5210 T:0.25	Ni(20u") AT SOLDER AREA
2	TERMINAL 2#	1	C5210 T:0.25	Gold Flash PLATED OVER
1	TERMINAL 1#	1	C5210 T:0.25	Ni(20u") AT CONTACT AREA

LTR	PART NAME	QTY	MATERIAL	REMARK
DWN	LILY	DATE	2018.12.10	NAME MINIATURE JACK
CHKD	ANDY	DATE	2018.12.10	
APVD	JON	DATE	2018.12.10	
UNLESS OTHERWISE SPECIFIED TOLERANCES				3RD ANGLE PROJECTION
DECIMALS:		ANGLES:		
X ± 0.3		X ± 1°		CAT. NO. PJD-035-213A
X.X ± 0.2		X.X ± 0.5'		
X.XX ± 0.1				DWN.NO. AA-035-213
X.XXX ± 0.05				
JKCR Electronics Co., Ltd.				001