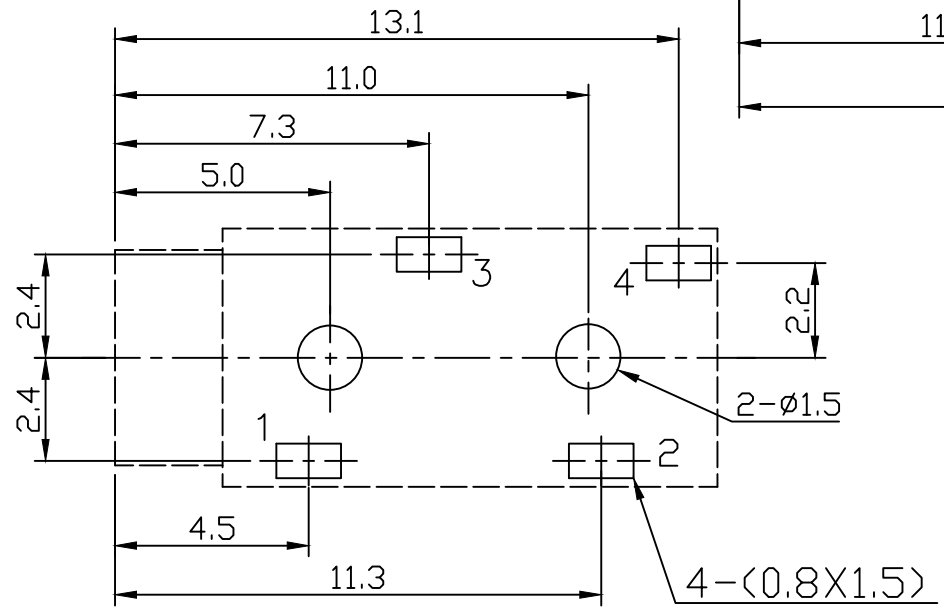
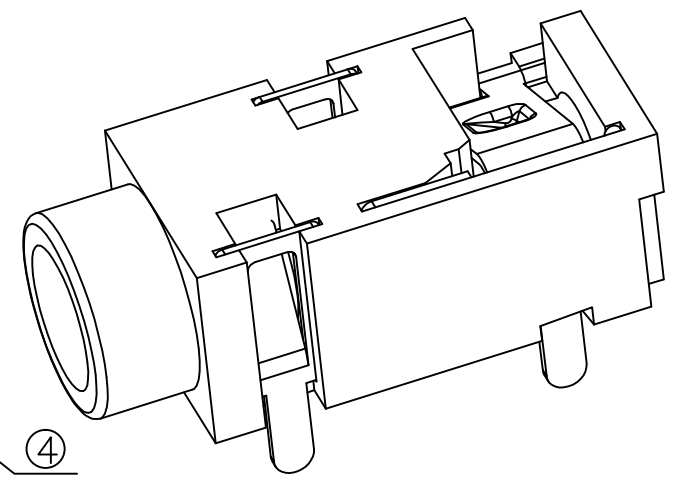
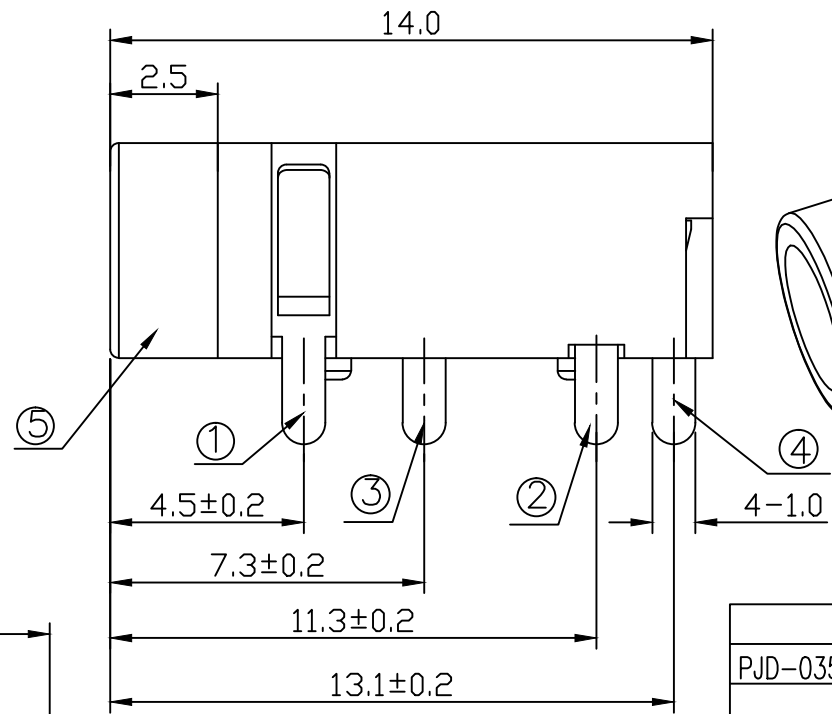
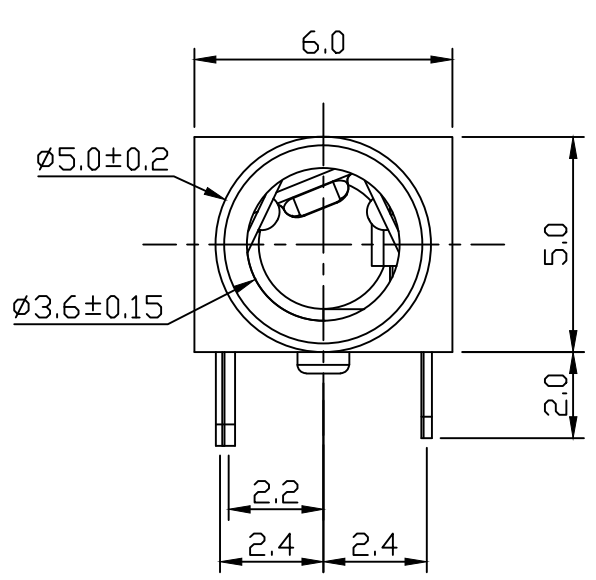


* REVISIONS				
LTR	DESCRIPTION	DATE	REVISED	APPROVED



SCHEMATIC			
PJD-035-19B	PJD-035-19D	PJD-035-19I	PJD-035-19J

T:1.6 Dimensions of PC board holes
Tolerance : ±0.05(Printed-top view)

UNLESS OTHERWISE SPECIFIED, TOLERANCE ON DECIMAL: ±0.3

LEAD FREE

5	HOUSING	1	PA9T	UL-94V0(BLACK)
4	CURVE PIECE	1	C2680 t=0.30	Ag PLATED
3	3# SPRING PIECE	1	C5191 t=0.20	Ag PLATED
2	2# SPRING PIECE	1	C5191 t=0.25	Ag PLATED
1	1# SPRING PIECE	1	C5191 t=0.20	Ag PLATED

LTR	PART NAME	QTY	MATERIAL	REMARK
DWN	LILY	DATE	2013.03.29	3RD ANGLE PROJECTION NAME MINIATURE JACK CAT. NO. PJD-035-19 DWN.NO. A-035-19
CHKD	ANDY	DATE	2013.03.29	
APVD	JON	DATE	2013.03.29	

JKCR Electronics Co., Ltd.

001