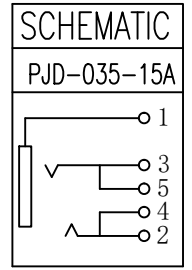
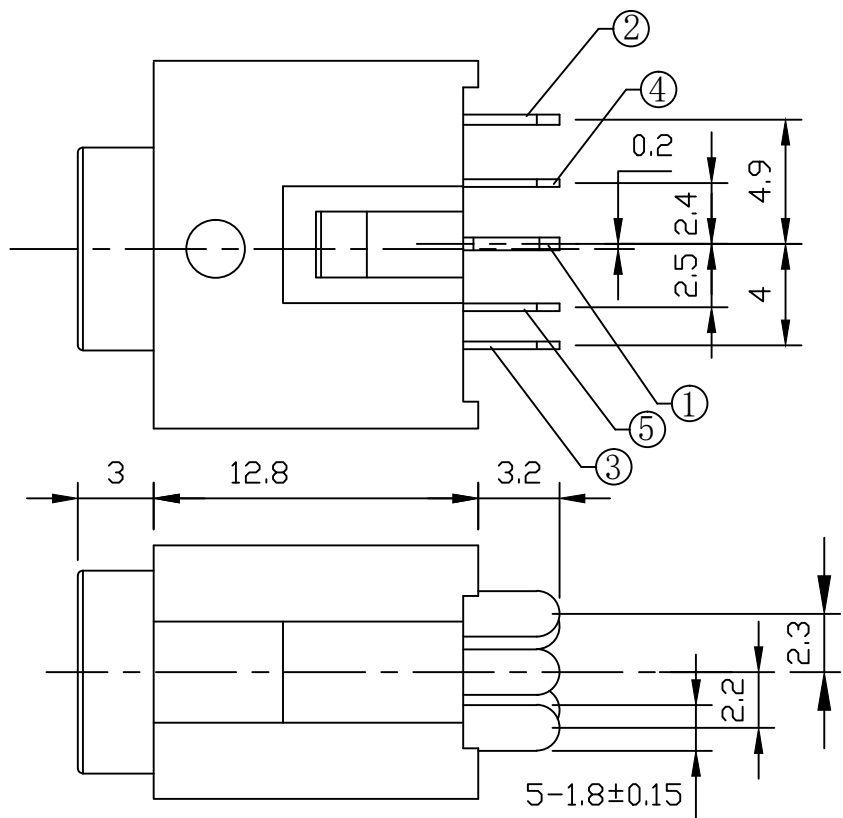
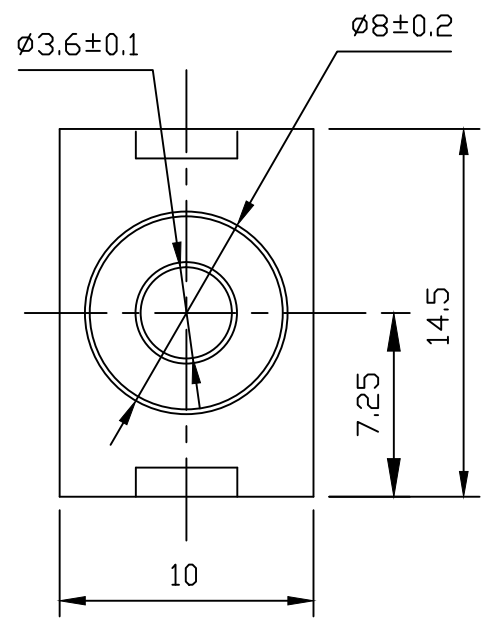
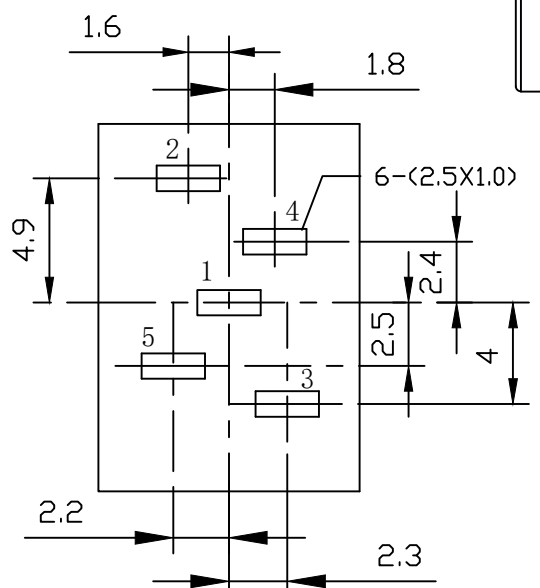


* REVISIONS				
LTR	DESCRIPTION	DATE	REVISED	APPROVED



MODEL NO.	COLOR
PJD-035-15SA01	GREEN
PJD-035-15SA02	PINK
PJD-035-15SA03	BLUE
PJD-035-15SA04	ORANGE



T:1.6 Dimensions of PC board holes
Tolerance : ±0.05(Printed-top view)

UNLESS OTHERWISE SPECIFIED, TOLERANCE ON DECIMAL: ±0.3

LEAD FREE

7	HOUSING	1	PBT		
6	COVER	1	PBT		
5	5# CONTACT FOOT	1	C2680	t=0.35	Ag PLATED
4	4# CONTACT FOOT	1	C2680	t=0.30	Ag PLATED
3	3# CONTACT FOOT	1	C5191	t=0.30	Ag PLATED
2	2# CONTACT FOOT	1	C5191	t=0.30	Ag PLATED
1	1# CONTACT FOOT	1	C5191	t=0.50	Ag PLATED

LTR	PART NAME	QTY	MATERIAL	REMARK
DWN	LILY	DATE	2015.06.26	3RD ANGLE PROJECTION NAME MINIATURE JACK CAT. NO. PJD-035-15SA DWN.NO. A-035-15
CHKD	ANDY	DATE	2015.06.26	
APVD	JON	DATE	2015.06.26	

JKCR Electronics Co., Ltd. 001