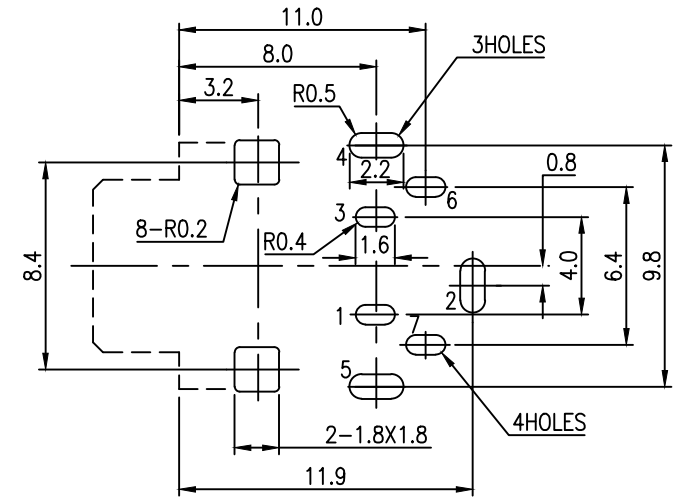
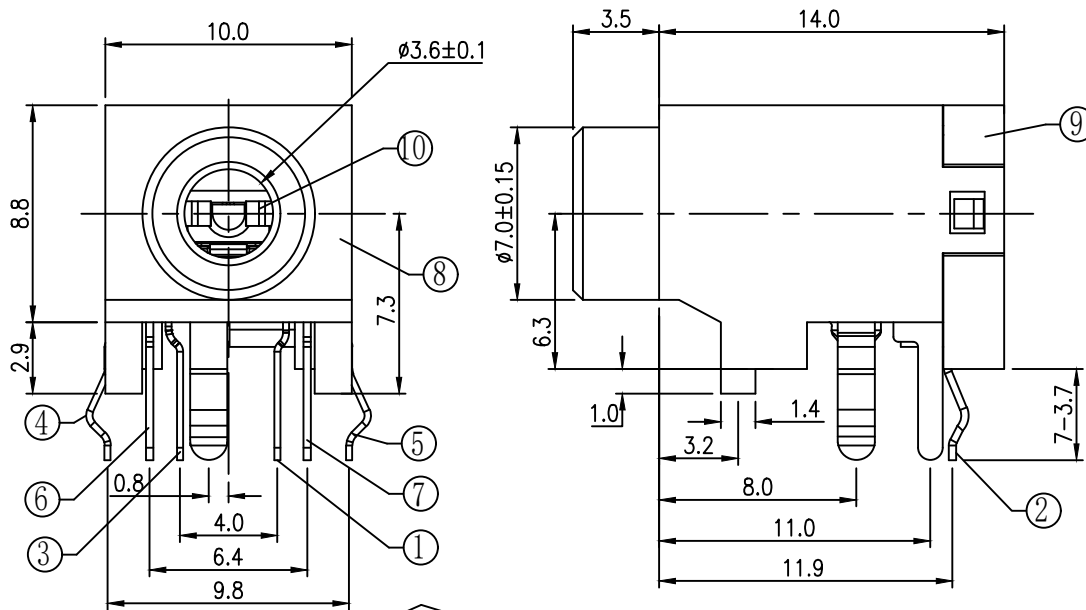
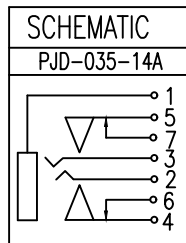
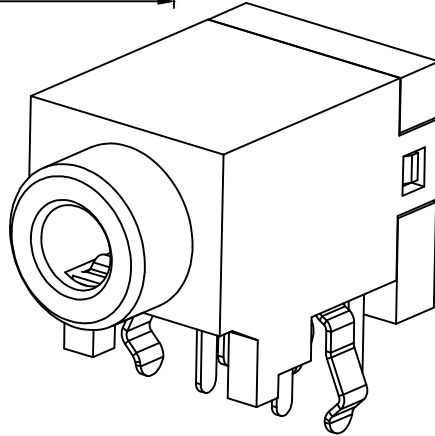


* RoHS COMPLIANT *

* REVISIONS				
LTR	DESCRIPTION	DATE	REVISED	APPROVED



T:1.6 Dimensions of PC board holes
Tolerance : ±0.05(Printed-top view)



UNLESS OTHERWISE SPECIFIED, TOLERANCE ON DECIMAL: ±0.3

10	SWICH KNOB	1	POM	BLACK
9	COVER	1	PBT 4815	UL-94V0(BLACK)
8	HOUSING	1	PBT 4815	UL-94V0(BLACK)
7	7#CONTACT FOOT	1	C2680 t=0.30	Ag PLATED
6	6#CONTACT FOOT	1	C2680 t=0.30	Ag PLATED
5	5#CONTACT FOOT	1	C5191 t=0.25	Ag PLATED
4	4#CONTACT FOOT	1	C5191 t=0.25	Ag PLATED
3	3#CONTACT FOOT	1	C5191 t=0.25	Ag PLATED
2	2#CONTACT FOOT	1	C5191 t=0.30	Ag PLATED
1	1#CONTACT FOOT	1	C5191 t=0.25	Ag PLATED
LTR	PART NAME	QTY	MATERIAL	REMARK
DWN	LILY	DATE	2013.09.30	NAME MINIATURE JACK CAT. NO. PJD-035-14A DWN.NO. A-035-14
CHKD	ANDY	DATE	2013.09.30	
APVD	JON	DATE	2013.09.30	
JKCR Electronics Co., Ltd.				001