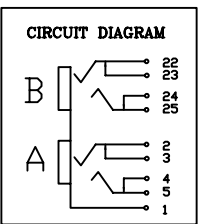
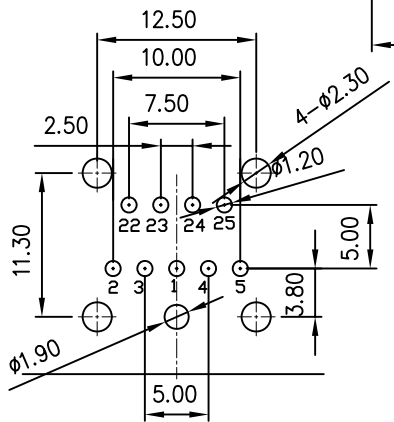
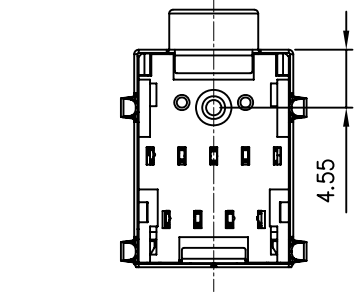
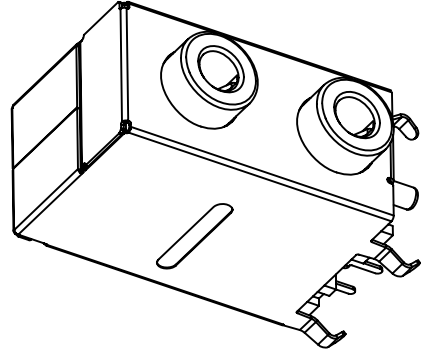
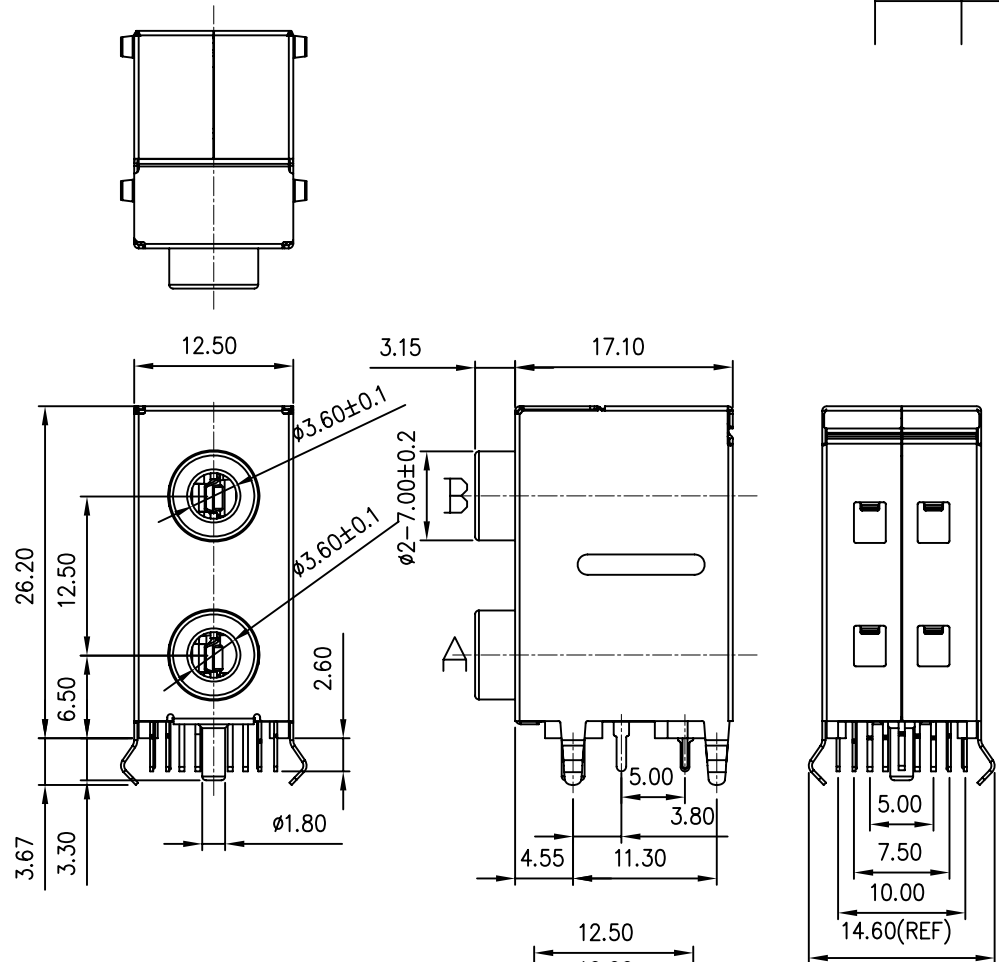


* REVISIONS				
LTR	DESCRIPTION	DATE	REVISED	APPROVED

SPECIFICATIONS:
 1.MECHANICAL
 a.INSERTION FORCE:0.4Kgs TO 3.0 Kgs
 b.EXTRACTION FORCE:0.4Kgs TO 3.0 Kgs
 c.ENDURANCE:5000 CYCLES
 2.ELECTRICAL
 a.DIELECTRIC WITHSTANDING VOITAGE:500V AC 1 MINUTE.
 b.INSULATION RESISTANCE:100M
 c.CONTACT RESISTANCE:30 m
 3.OPERATING TEMPERATURE: -25 TO +85 °C.



16	BACK SHELL	SPCC T=0. 2mm	1	NI
15	SHELL	SPCC T=0. 25mm	1	NI
14	BACK COVER	PBT (BLACK)	1	---
13	TER' -24	BRASS T=0. 40mm	1	Sn
12	TER' -23	BRASS T=0. 40mm	1	Sn
11	TER' -4	BRASS T=0. 40mm	1	Sn
10	TER' -3	BRASS T=0. 40mm	1	Sn
9	TER' -25	PHOSPHOR BRONZE T=0. 25mm	1	Sn
8	TER' -22	PHOSPHOR BRONZE T=0. 25mm	1	Sn
7	TER' -5	PHOSPHOR BRONZE T=0. 25mm	1	Sn
6	TER' -2	PHOSPHOR BRONZE T=0. 25mm	1	Sn
5	TER' -1	BRASS T=0. 5mm	1	GOLD10" Sn100u"
4	BASE-B	PBT (BLACK)	1	---
3	BASE-A	PBT (BLACK)	1	---
2	COVER	PA46 (BLACK)	1	---
1	Housing	PBT (BLACK)	1	---
NO.	PART NAME	MATERIAL	Q' TY	PLATING

LEAD FREE

DWN	LILY	DATE	2013.06.17	3RD ANGLE PROJECTION	NAME MINIATURE JACK
CHKD	ANDY	DATE	2013.06.17		
APVD	JON	DATE	2013.06.17		UNIT: mm
JKCR Electronics Co., Ltd.					