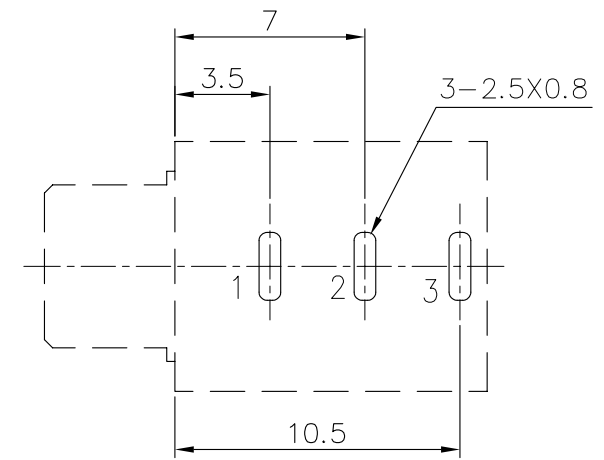
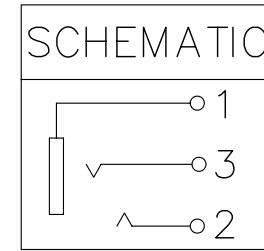
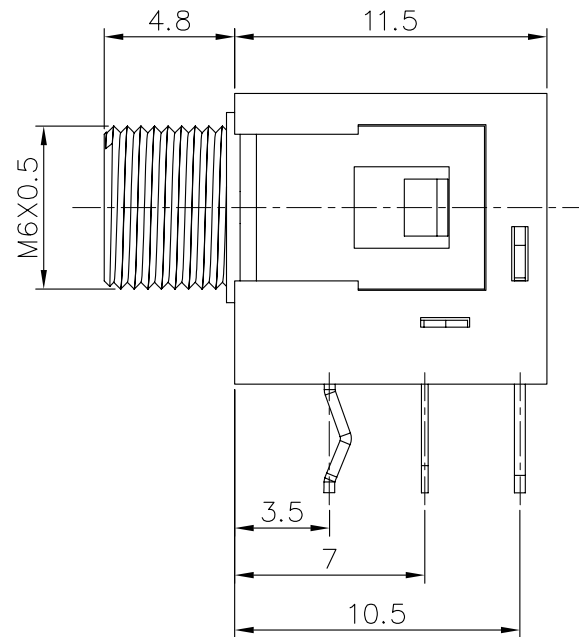
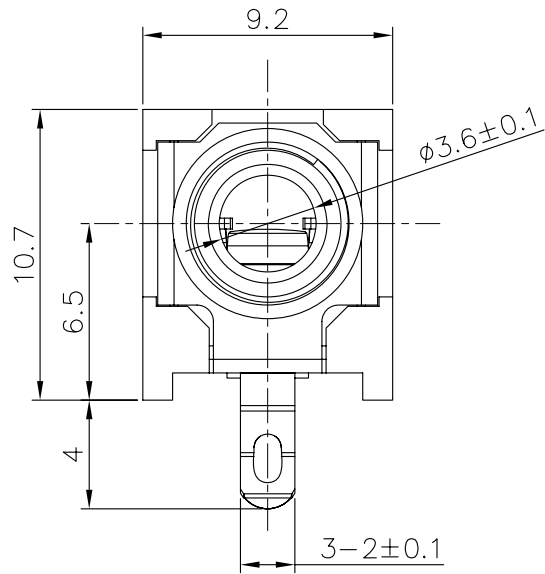
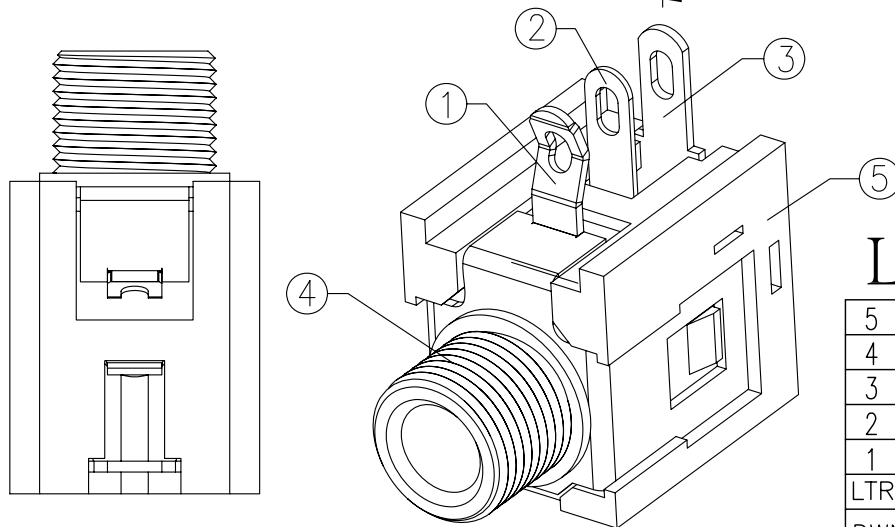


* REVISIONS				
LTR	DESCRIPTION	DATE	REVISED	APPROVED



T:1.6 Dimensions of PC board holes

Tolerance : ±0.05(Printed-Top view)



**LEAD FREE**

5	HOUSING	1	PBT 4815	UL-94V0(BLACK)
4	BUSHING	1	H59(COPPER ALLOY)	Ni PLATED
3	RING SPRING	1	C5191 t=0.40	Sn PLATED
2	TIP SPRING	1	C5191 t=0.25	Sn PLATED
1	EARTH TERMINAL	1	SPCC t=0.40	Sn PLATED

LTR	PART NAME	QTY	MATERIAL	REMARK
DWN	LILY	DATE	2013.08.01	3RD ANGLE PROJECTION
CHKD	ANDY	DATE	2013.08.01	
APVD	JON	DATE	2013.08.01	

JKCR Electronics Co., Ltd.

DWN.NO. F-035-102 001

UNLESS OTHERWISE SPECIFIED, TOLERANCE ON DECIMAL: ±0.3

NAME MINIATURE JACK

CAT. NO. PJD-035-102MD