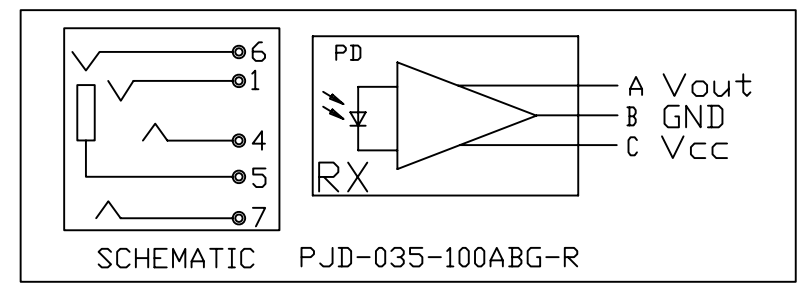
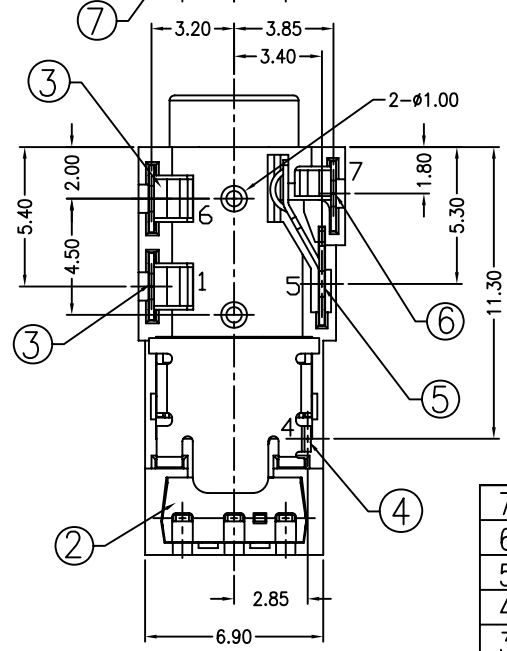
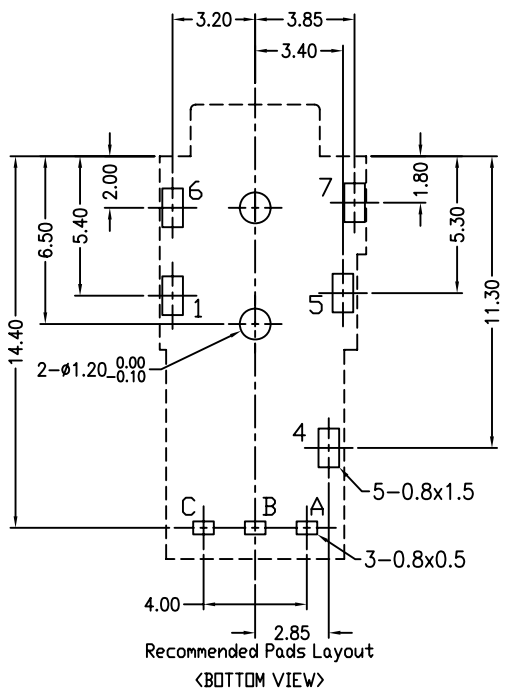
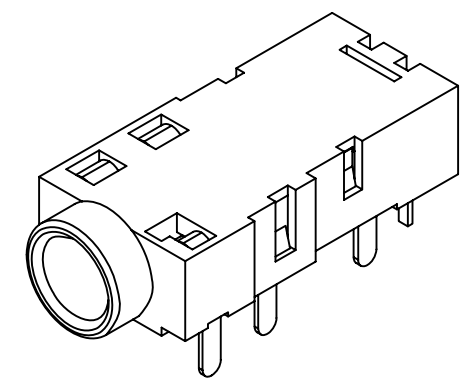
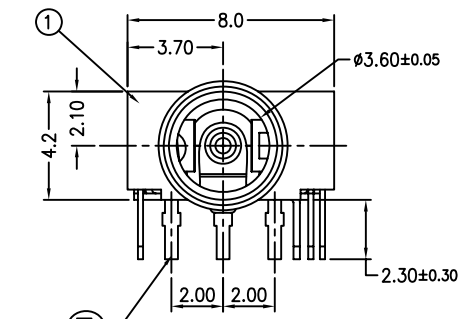
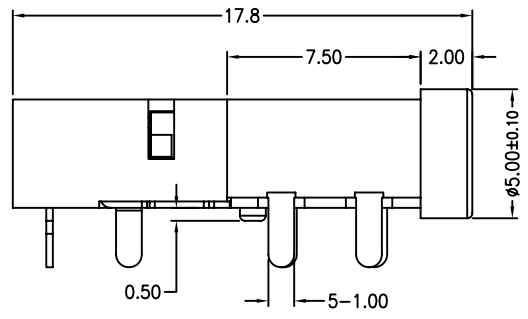


* REVISIONS				
LTR	DESCRIPTION	DATE	REVISED	APPROVED



LEAD FREE

7	DRIVE IC(R)	1		
6	P CONTACT	1	CU ALLOY	Au PLATED
5	GND CONTACT	1	CU ALLOY	Au PLATED
4	T CONTACT	1	CU ALLOY	Au PLATED
3	R/D(A) CONTACT	2	CU ALLOY	Au PLATED
2	COVER	1	HIGH-TEMP PLASTIC	
1	HOUSING	1	HIGH-TEMP PLASTIC	

LTR	PART NAME	QTY	MATERIAL	REMARK
DWN	LILY	DATE	2013.08.12	3RD ANGLE PROJECTION
CHKD	ANDY	DATE	2013.08.12	
APVD	JON	DATE	2013.08.12	UNIT: mm

JKCR Electronics Co., Ltd.				DWN.NO.	E-035-100	001
----------------------------	--	--	--	---------	-----------	-----

UNLESS OTHERWISE SPECIFIED, TOLERANCE ON DECIMAL: ±0.3

NAME  
φ3.5mm Audio Jack + SPIDF  
CAT. NO.  
PJD-035-100ABG-R