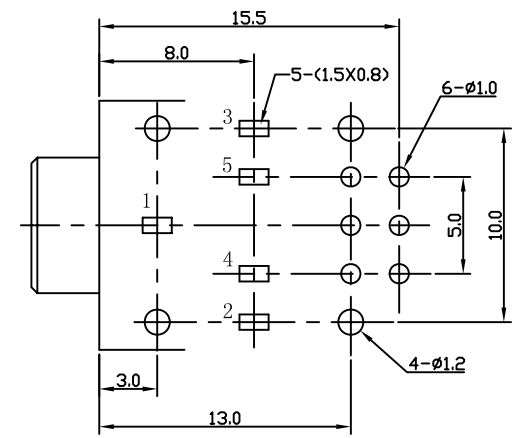
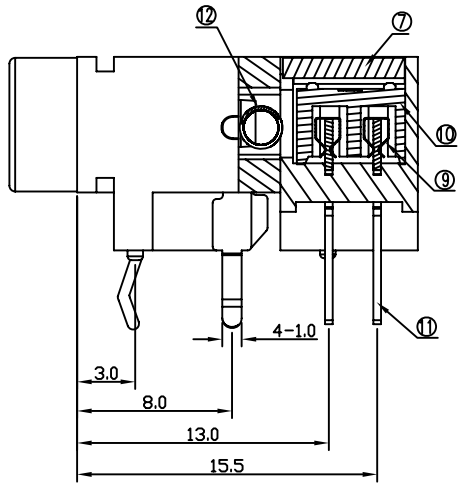
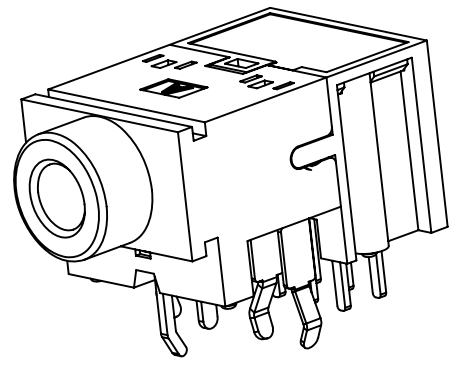
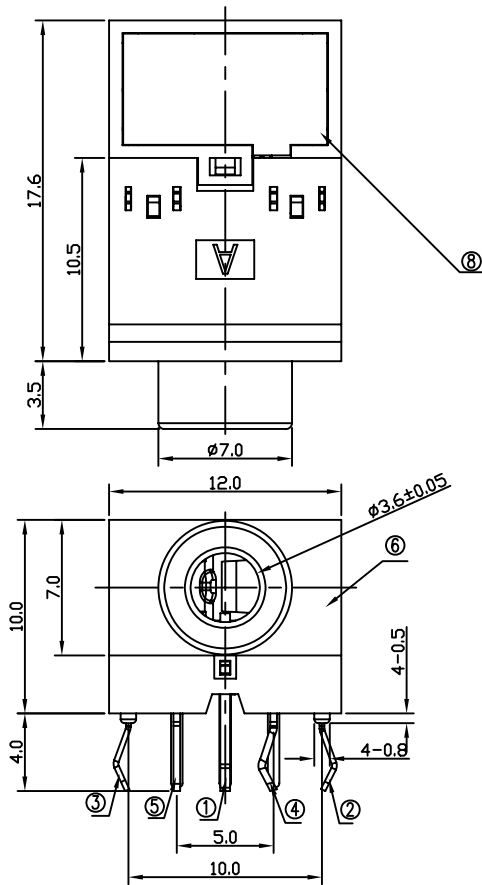


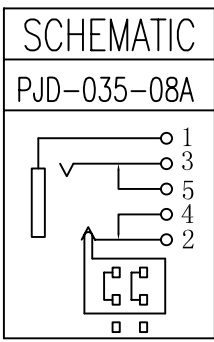
✱ REVISIONS

LTR	DESCRIPTION	DATE	REVISED	APPROVED



T:1.6 Dimensions of PC board holes
Tolerance : ±0.05(Printed-top view)

LEAD FREE



12	SPRING COIL	1	SWC	
11	TERMINAL	6	C2680	Ag PLATED
10	SLIDER(SWITCH)	1	PA66	BLACK
9	CONTACT CLPS	2	C5191 t=0.045	Ag PLATED
8	COVER	1	PA66	BLACK
7	BODY	1	PA66	BLACK
6	HOUSING	1	PBT 4815	UL-94V0(BLACK)
5	5# CONTACT FOOT	1	C2680 t=0.35	Ag PLATED
4	4# CONTACT FOOT	1	C2680 t=0.35	Ag PLATED
3	3# CONTACT FOOT	1	C5191 t=0.30	Ag PLATED
2	2# CONTACT FOOT	1	C5191 t=0.25	Ag PLATED
1	1# CONTACT FOOT	1	C5191 t=0.50	Ag PLATED

LTR	PART NAME	QTY	MATERIAL	REMARK
DWN	LILY	DATE	2014.06.06	3RD ANGLE PROJECTION NAME MINIATURE JACK CAT. NO. PJD-035-08AB DWN.NO. A-035-08
CHKD	ANYD	DATE	2014.06.06	
APVD	JON	DATE	2014.06.06	

UNLESS OTHERWISE SPECIFIED, TOLERANCE ON DECIMAL: ±0.3

JKCR Electronics Co., Ltd.