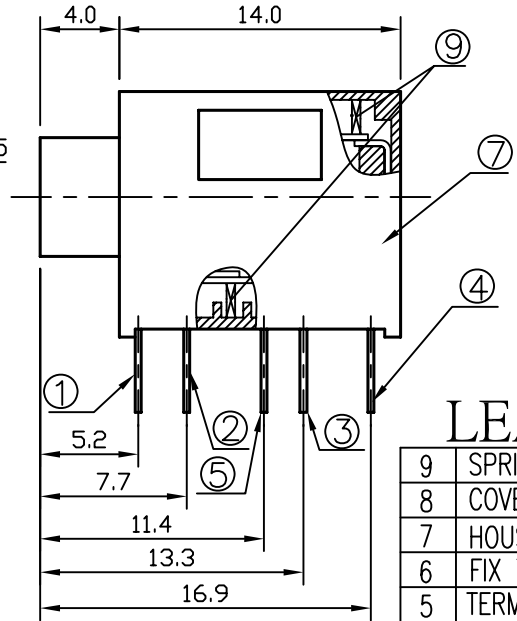
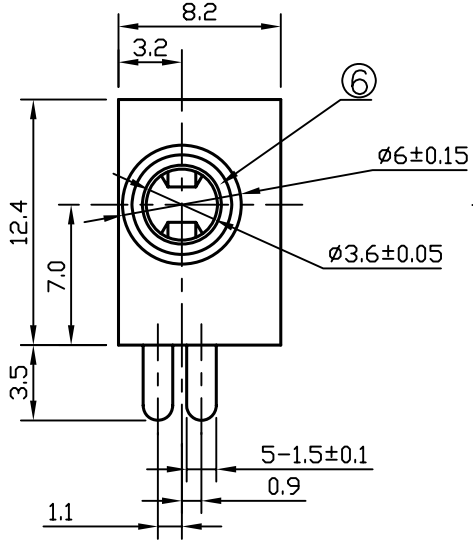
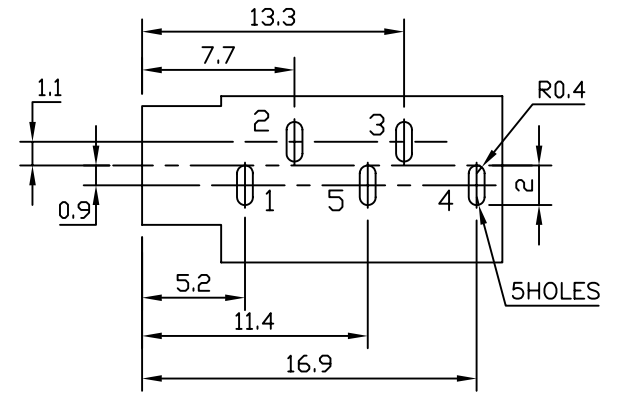
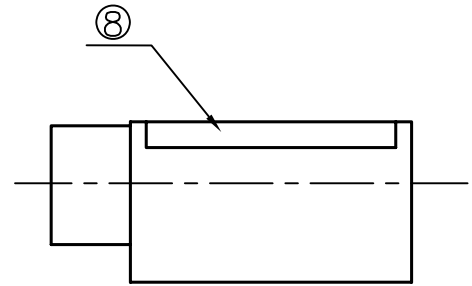
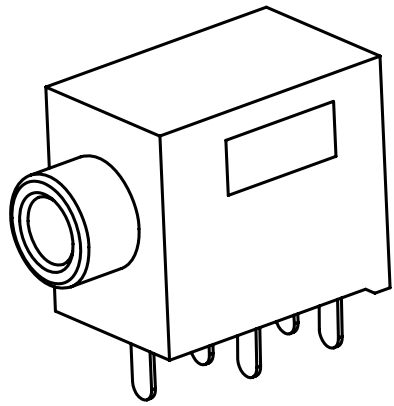
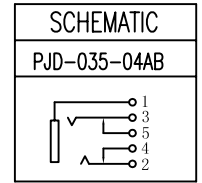


* REVISIONS				
LTR	DESCRIPTION	DATE	REVISED	APPROVED



T:1.6 Dimensions of PC board holes
Tolerance : ±0.05(Printed-top view)



MODEL NO.	COLOR
PJD-035-04AB	BLACK

LEAD FREE

9	SPRING	2	SWC	φ=0.3	
8	COVER	1	PBT 4815		UL-94V0
7	HOUSING	1	PBT 4815		UL-94V0
6	FIX TURN	1	H59		Ni PLATED
5	TERMINAL -5#	1	C2680	t=0.3	Ag PLATED
4	TERMINAL -4#	1	C2680	t=0.3	Ag PLATED
3	TERMINAL -3#	1	C5191	t=0.3	Ag PLATED
2	TERMINAL -2#	1	C5191	t=0.3	Ag PLATED
1	TERMINAL -1#	1	C2680	t=0.3	Ag PLATED

LTR	PART NAME	QTY	MATERIAL	REMARK
DWN	LILY	DATE	2013.03.31	3RD ANGLE PROJECTION
CHKD	ANDY	DATE	2013.03.31	
APVD	JON	DATE	2013.03.31	UNIT: mm

NAME	MINIATURE JACK
CAT. NO.	PJD-035-04AB
DWN.NO.	A-035-04 001

UNLESS OTHERWISE SPECIFIED, TOLERANCE ON DECIMAL: ±0.3

JKCR Electronics Co., Ltd.