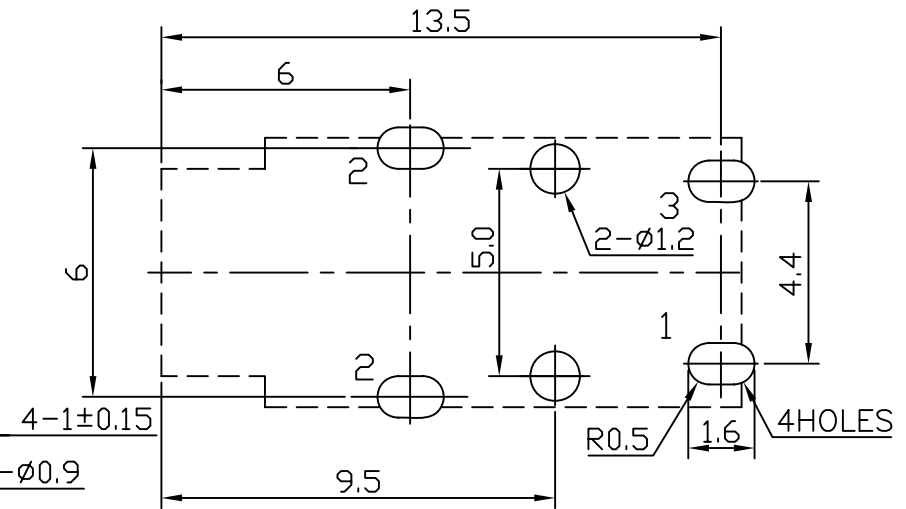
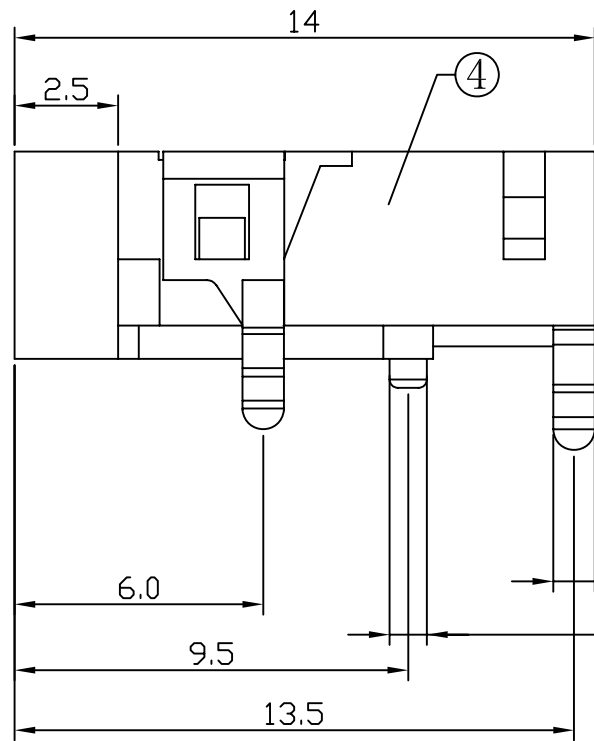
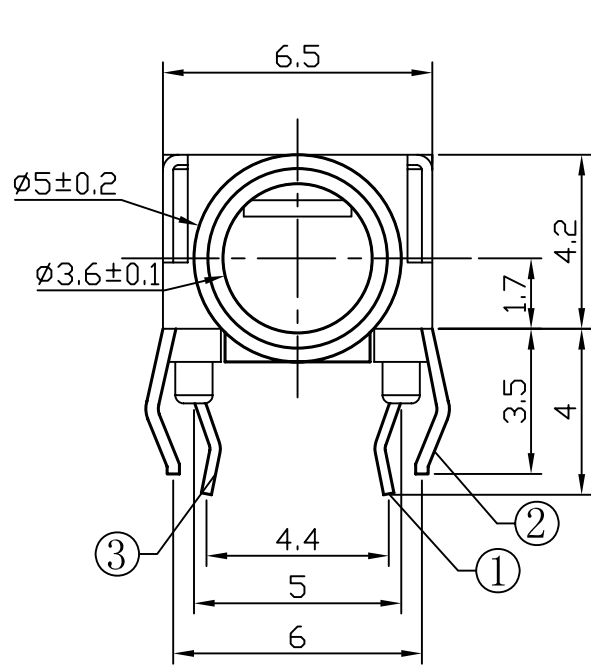
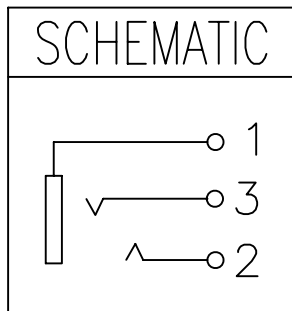
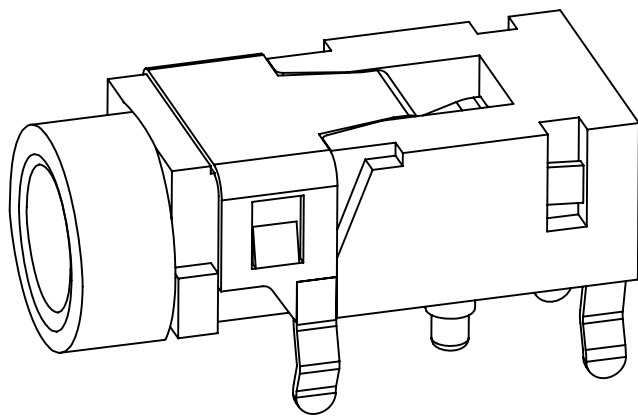


* REVISIONS				
LTR	DESCRIPTION	DATE	REVISED	APPROVED



T:1.6 Dimensions of PC board holes
Tolerance : ±0.05(Printed-top view)



LEAD FREE

4	HOUSING	1	PBT		BLACK
3	3# CONTACT FOOT	1	C5191	t=0.20	Sn PLATED
2	2# CONTACT FOOT	1	C5191	t=0.35	Sn PLATED
1	1# CONTACT FOOT	1	C5191	t=0.20	Sn PLATED
LTR	PART NAME	QTY	MATERIAL		REMARK
DWN	LILY	DATE	2014.04.16	3RD ANGLE PROJECTION	NAME MINIATURE JACK
CHKD	ANDY	DATE	2014.04.16		CAT. NO. PJD-035-03DB
APVD	JON	DATE	2014.04.16		UNIT: mm
JKCR Electronics Co., Ltd.					001

UNLESS OTHERWISE SPECIFIED, TOLERANCE ON DECIMAL: ±0.3