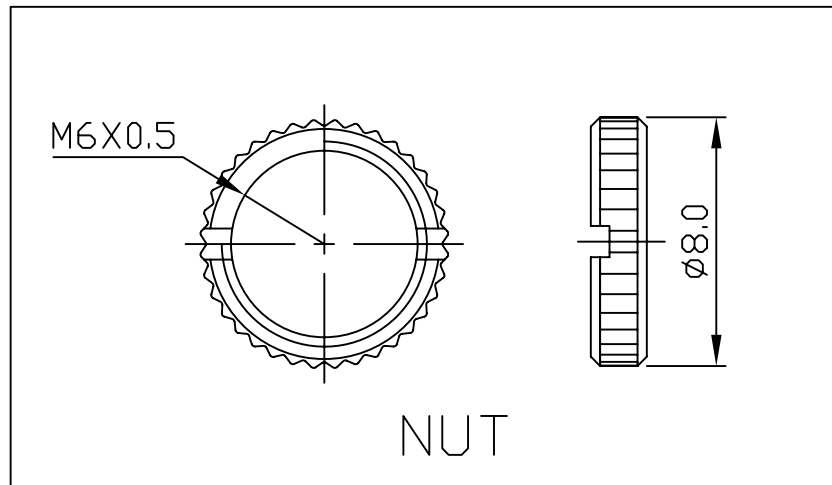
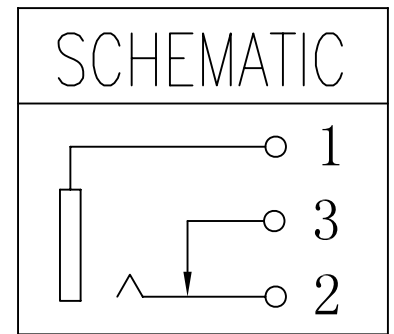
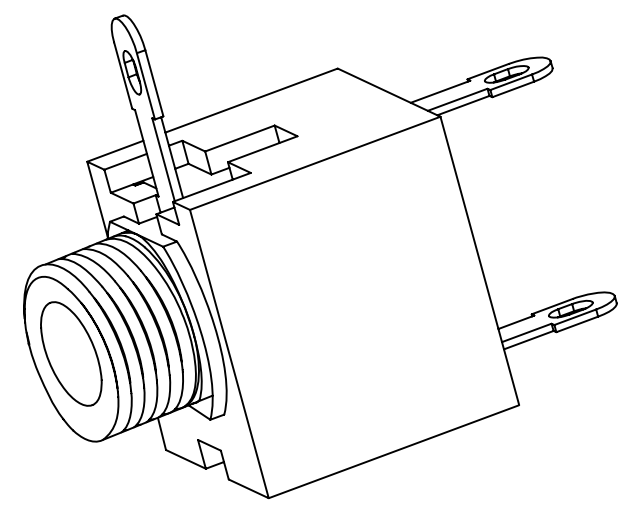
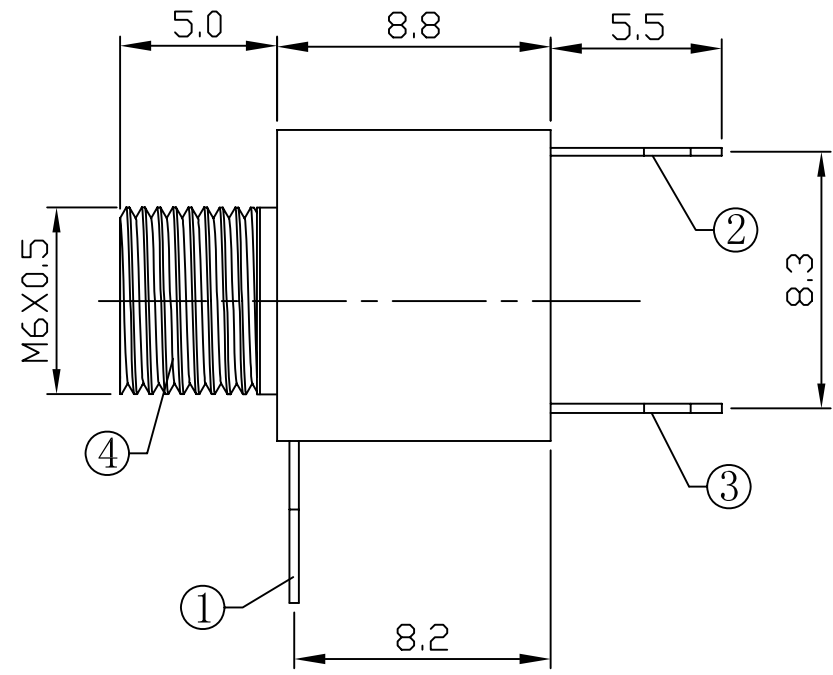
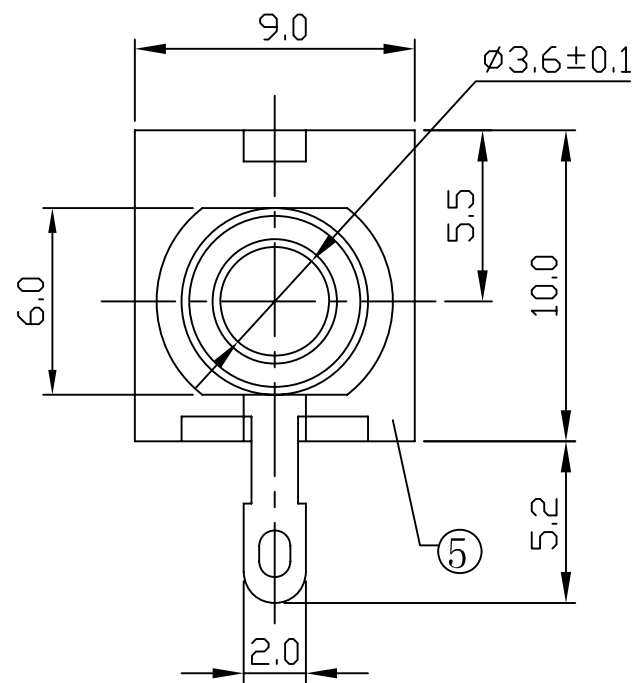


* REVISIONS				
LTR	DESCRIPTION	DATE	REVISED	APPROVED



LEAD FREE

6	NUT	1	H59(COPPER ALLOY)	Ni PLATED
5	HOUSING	1	PBT 4815	UL-94V0(BLACK)
4	AXIS SUPPORT	1	H59(COPPER ALLOY)	Ni PLATED
3	CURVE PIECE	1	C2680 t=0.30	Ag PLATED
2	SPRING PIECE	1	C5191 t=0.25	Ag PLATED
1	FLAT PIECE	1	C2680 t=0.30	Ag PLATED

LTR	PART NAME	QTY	MATERIAL	REMARK
DWN	LILY	DATE	2013.04.17	3RD ANGLE PROJECTION NAME MINIATURE JACK CAT. NO. PJD-035-01M DWN.NO. A-035-01
CHKD	ANDY	DATE	2013.04.17	
APVD	JON	DATE	2013.04.17	
JKCR Electronics Co., Ltd.				001

UNLESS OTHERWISE SPECIFIED, TOLERANCE ON DECIMAL: ± 0.3