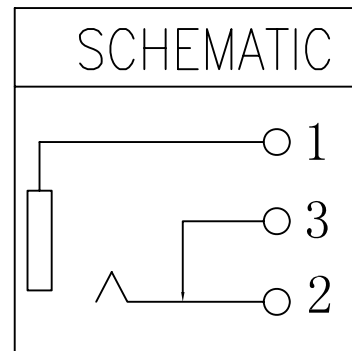
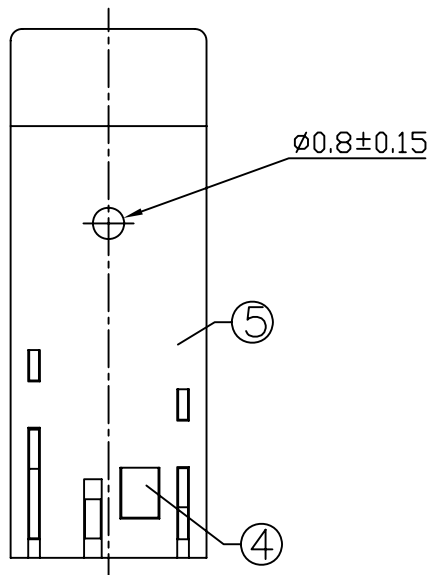
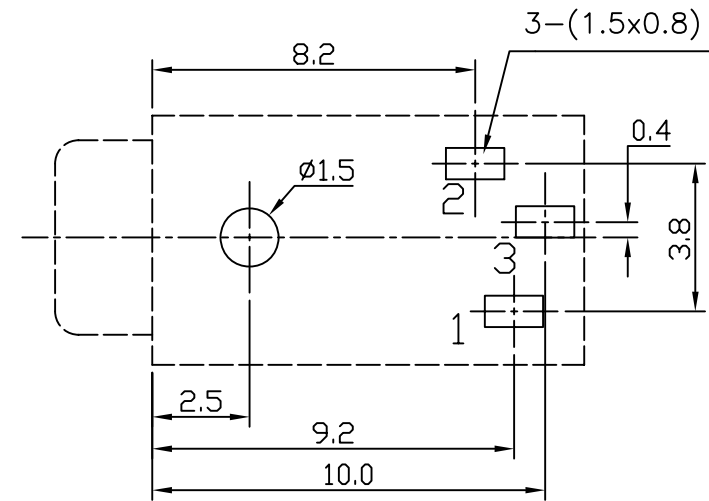
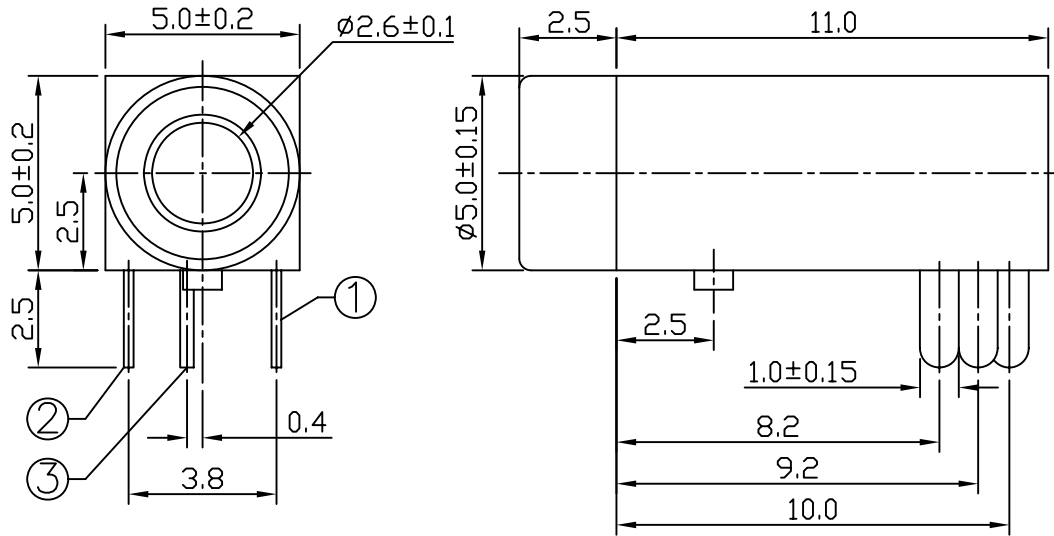


\* REVISIONS

LTR	DESCRIPTION	DATE	REVISED	APPROVED



T:1.6 Dimensions of PC board holes  
Tolerance : ±0.05(Printed-top view)

LEAD FREE

5	HOUSING	1	PA66	BLACK
4	COVER	1	PA66	BLACK
3	SHUNT TERMINAL	1	C2680	t=0.40 Ag PLATED
2	TIP SPRING	1	C5191	t=0.25 Ag PLATED
1	EARTHING SPRING	1	C5191	t=0.25 Ag PLATED

LTR	PART NAME	QTY	MATERIAL	REMARK
DWN	LILY	DATE	2013.10.30	3RD ANGLE PROJECTION NAME MINIATURE JACK CAT. NO. PJD-025-27
CHKD	ANDY	DATE	2013.10.30	
APVD	JON	DATE	2013.10.30	

UNLESS OTHERWISE SPECIFIED, TOLERANCE ON DECIMAL: ±0.3

JKCR Electronics Co., Ltd.

DWN.NO.  
F-025-27

001