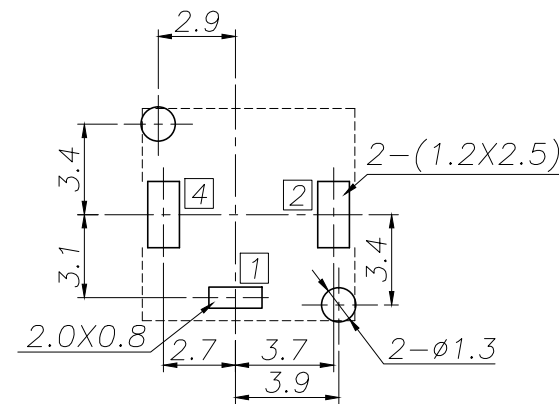
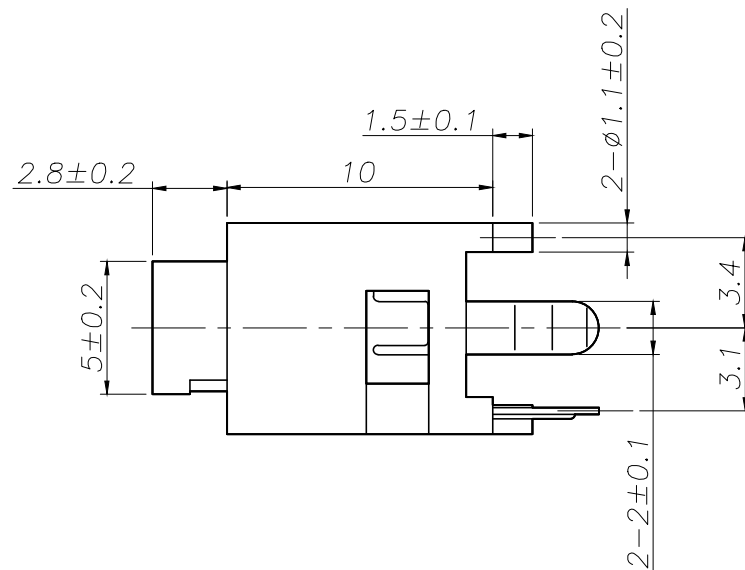
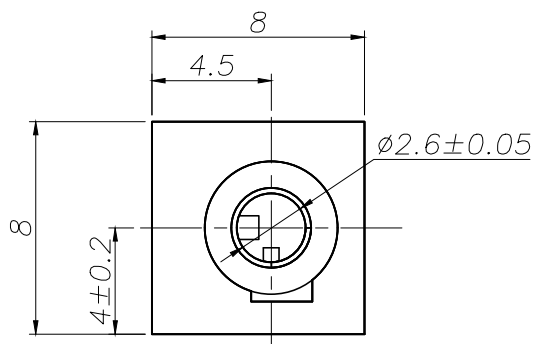
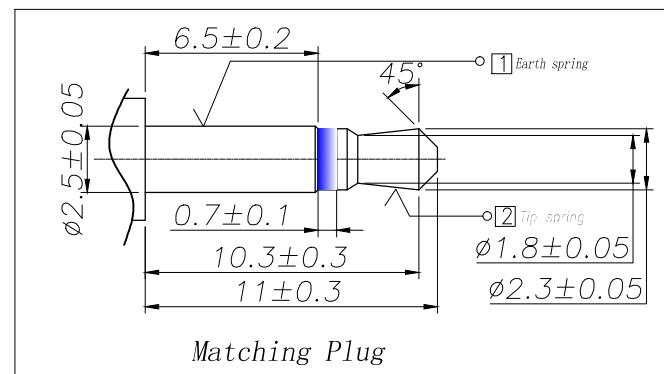
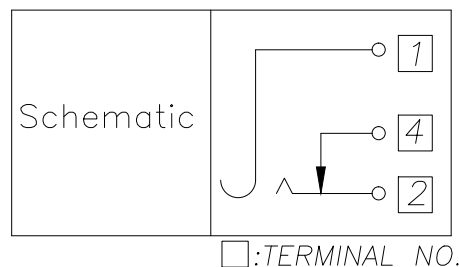
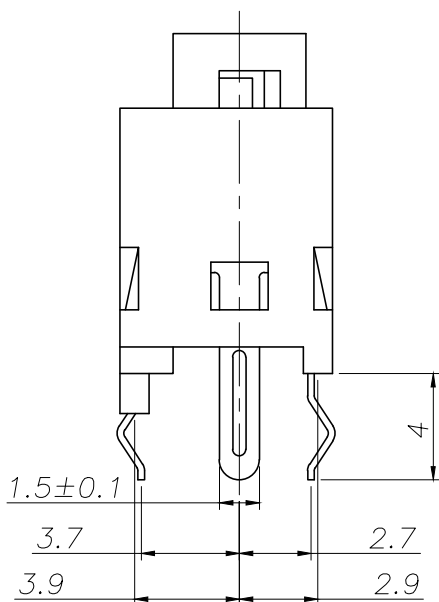


* RoHS COMPLIANT *

* REVISIONS				
LTR	DESCRIPTION	DATE	REVISED	APPROVED



RECOMMENDED P. C. B. LAYOUT
 UNSPECIFIED TOLERANCE: ± 0.05
 (BOTTOM VIEW)



4	HOUSING	1	PBT 4815	UL-94V0(BLACK)
3	SPRING PIECE	1	C5191 t=0.30	Ag PLATED
2	CURVE PIECE	1	C2680 t=0.25	Ag PLATED
1	CONTACT FOOT	1	C5191 t=0.25	Ag PLATED
LTR	PART NAME	QTY	MATERIAL	REMARK

DWN	LILY	DATE	2018.11.01	3RD ANGLE PROJECTION	NAME	MINIATURE JACK
CHKD	ANDY	DATE	2018.11.01		CAT. NO.	PJD-025-15
APVD	JON	DATE	2018.11.01		UNIT: mm	
JKCR Electronics Co., Ltd.					DWN.NO.	F-025-15
						001

UNLESS OTHERWISE SPECIFIED, TOLERANCE ON DECIMAL: ± 0.3