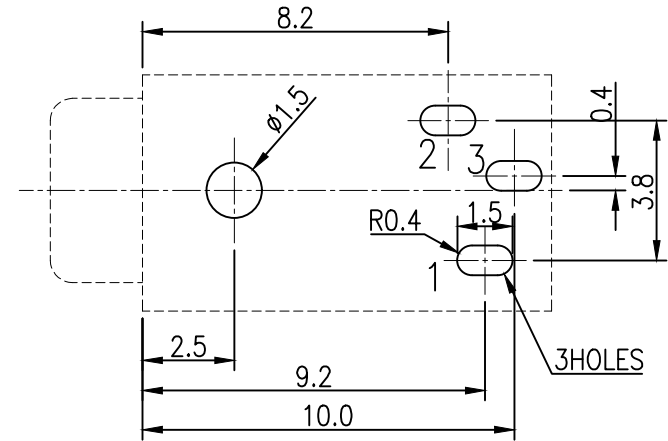
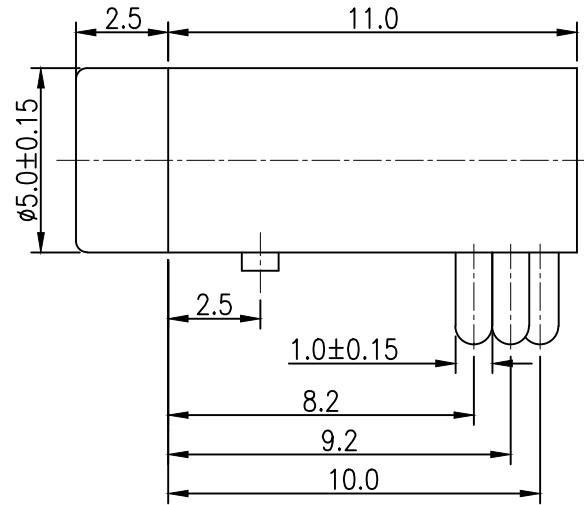
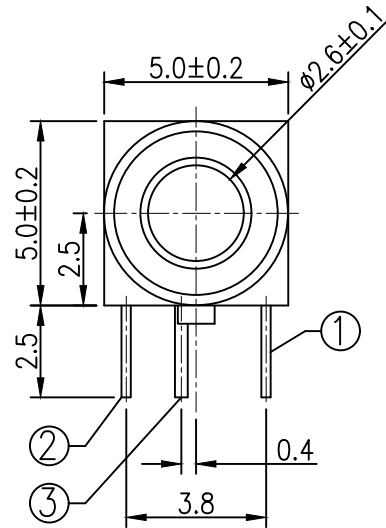
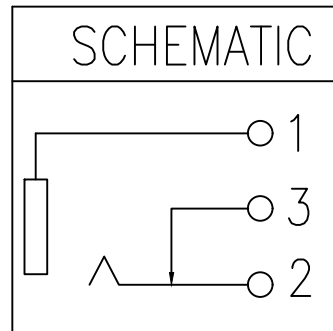
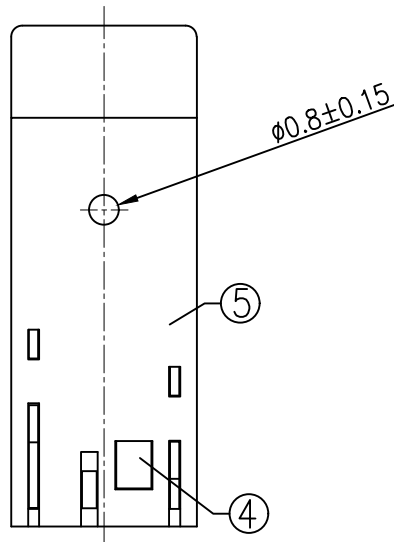


\* RoHS COMPLIANT \*



T:1.6 Dimensions of PC board holes  
Tolerance : ±0.05(Printed-top view)



UNLESS OTHERWISE SPECIFIED, TOLERANCE ON DECIMAL: ±0.3

* REVISIONS				
LTR	DESCRIPTION	DATE	REVISED	APPROVED

5	HOUSING	1	PA66	BLACK
4	COVER	1	PA66	BLACK
3	SHUNT TERMINAL	1	C2680	t=0.40 Ag PLATED
2	TIP SPRING	1	C5191	t=0.25 Ag PLATED
1	EARTHING SPRING	1	C5191	t=0.25 Ag PLATED
LTR	PART NAME	QTY	MATERIAL	REMARK
DWN	LILY	DATE	2017.03.16	3RD ANGLE PROJECTION
CHKD	ANDY	DATE	2017.03.16	
APVD	JON	DATE	2017.03.16	
JKCR Electronics Co., Ltd.				NAME MINIATURE JACK
				CAT. NO. PJD-025-08I
				DWN.NO. F-025-08
				001