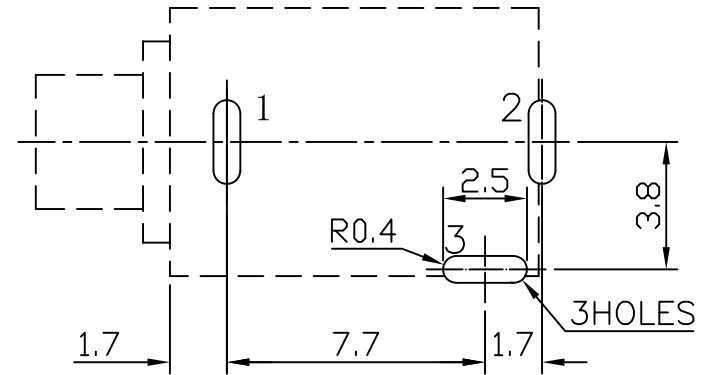
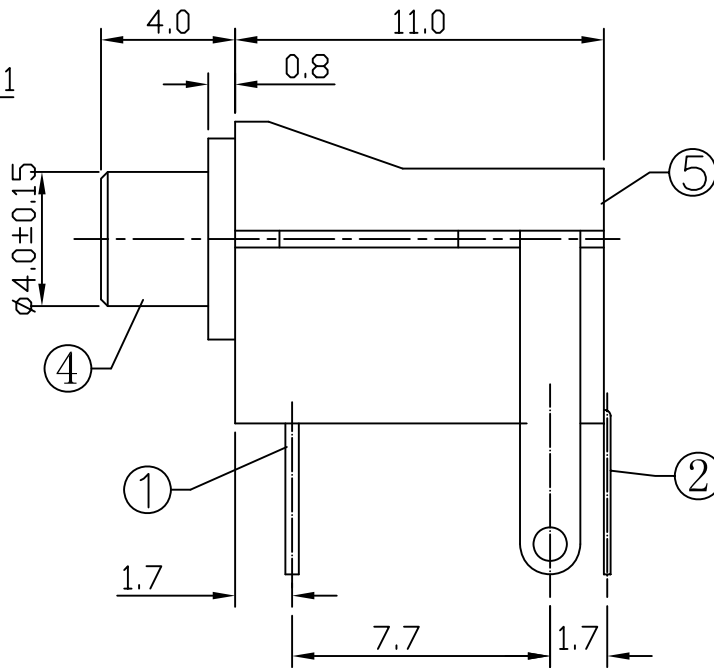
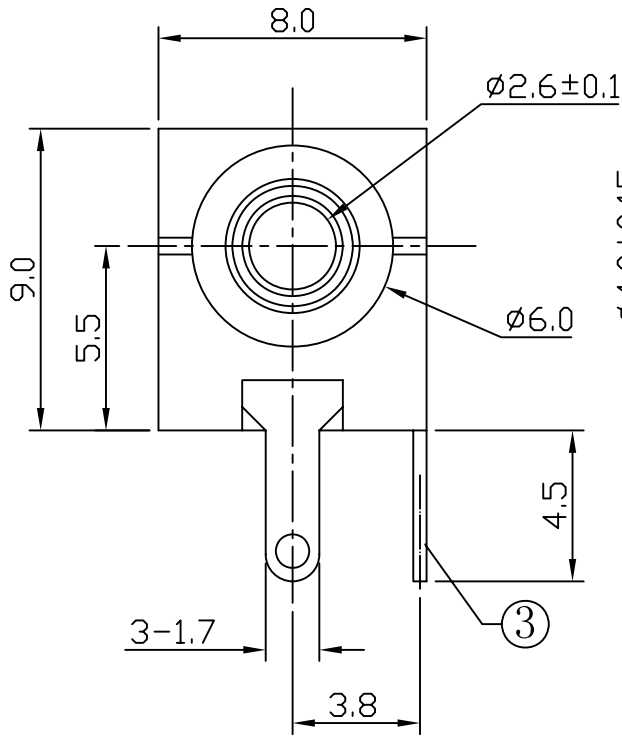
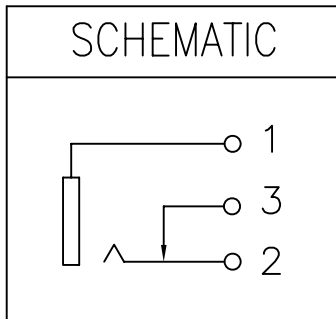


* REVISIONS				
LTR	DESCRIPTION	DATE	REVISED	APPROVED



T:1.6 Dimensions of PC board holes
Tolerance : ±0.05(Printed-top view)



UNLESS OTHERWISE SPECIFIED, TOLERANCE ON DECIMAL: ±0.3

LEAD FREE

5	HOUSING	1	PBT	BLACK
4	AXIS SUPPORT	1	H59(COPPER ALLOY)	Ni PLATED
3	CURVE PIECE	1	C2680 t=0.30	Sn PLATED
2	SPRING PIECE	1	SUS 301 t=0.20	Sn PLATED
1	FIAT PIECE	1	C2680 t=0.30	Sn PLATED
LTR	PART NAME	QTY	MATERIAL	REMARK
DWN	LILY	DATE	2014.11.10	3RD ANGLE PROJECTION NAME MINIATURE JACK
CHKD	ANDY	DATE	2014.11.10	
APVD	JON	DATE	2014.11.10	
UNIT: mm				CAT. NO. PJD-025-031
JKCR Electronics Co., Ltd.				DWN.NO. A-025-03
				001