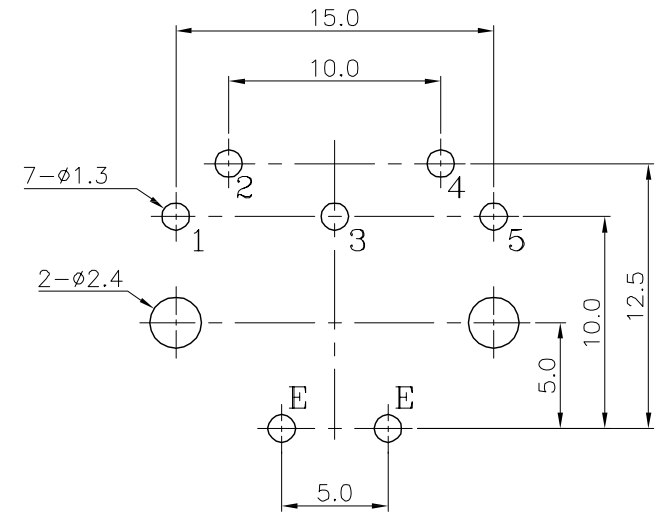
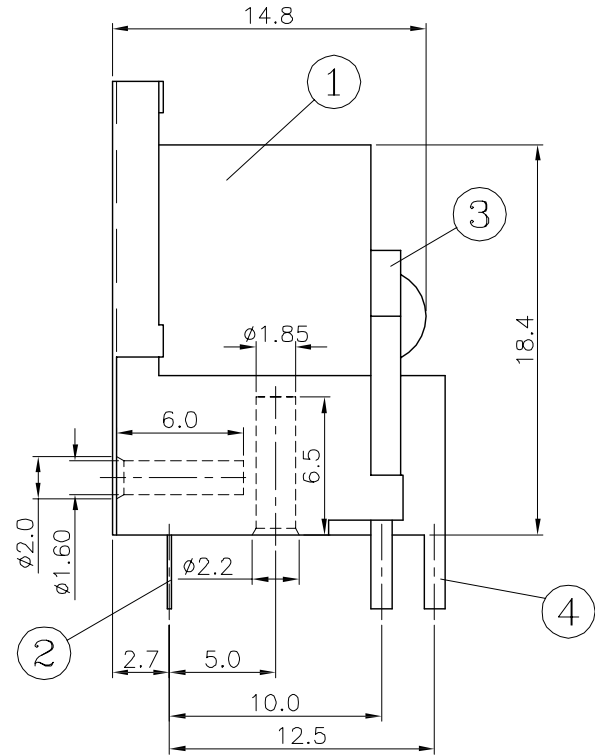
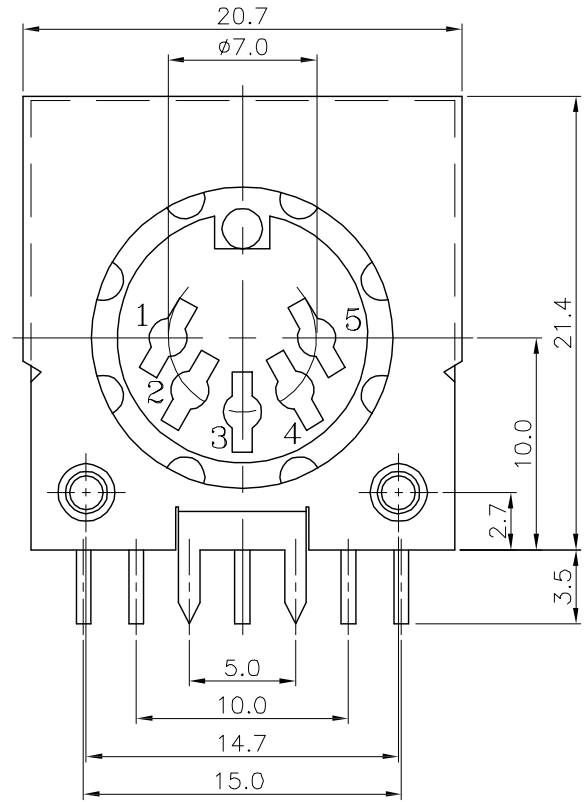


* REVISIONS				
LTR	DESCRIPTION	DATE	REVISED	APPROVED



T:1.6 Dimensions of PC board holes
Tolerance: ± 0.05 (Printed-top view)

LEAD FREE

4	TERMINAL	5	C2680 t=0.70	Ag	PLATED	
3	INSULATION BOARD	1	PE			
2	SHIELDED TERMINAL	1	C2680 t=0.25	Cu/Sn	PLATED	
1	HOUSING	1	PBT 4815	UL-94V0	(BLACK)	
LTR	PART NAME	QTY	MATERIAL	REMARK		
DWN	LILY	DATE	2013.11.21	3RD ANGLE PROJECTION	NAME S JACK	
CHKD	ANDY	DATE	2013.11.21		CAT. NO. MD-09135S-5	
APVD	JON	DATE	2013.11.21		UNIT: mm	
JKCR Electronics Co., Ltd.					DWN.NO. B-09135	001

UNLESS OTHERWISE SPECIFIED, TOLERANCE ON DECIMAL: ± 0.3