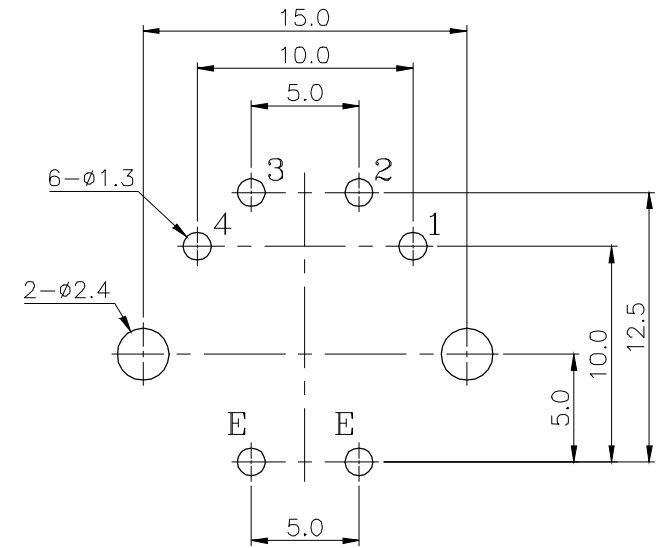
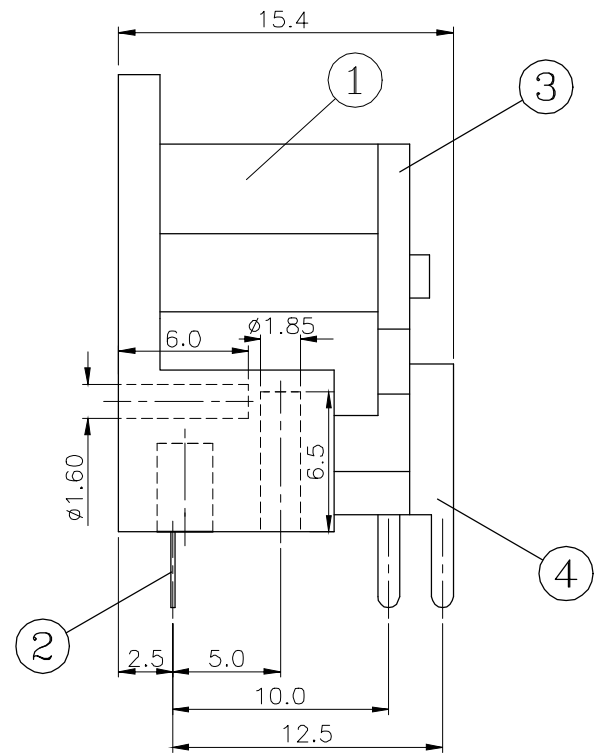
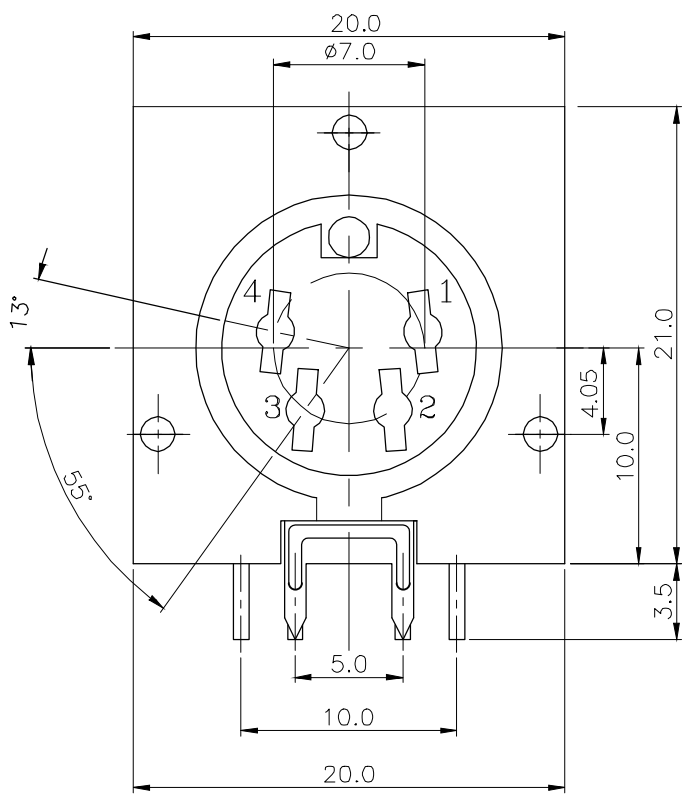


* RoHS COMPLIANT *

| * REVISIONS | | | | |
|-------------|-------------|------|---------|----------|
| LTR | DESCRIPTION | DATE | REVISED | APPROVED |
| | | | | |



T:1.6 Dimensions of PC board holes
Tolerance:±0.05(Printed-top view)

| | | | | |
|----------------------------|----------------|------|-------------|--|
| 4 | TERMINAL | 4 | C2680 t=0.7 | Ag PLATED |
| 3 | COVER | 1 | PBT 4815 | UL-94V0(BLACK) |
| 2 | EARTH TERMINAL | 1 | C5191 t=0.2 | Ag PLATED |
| 1 | HOUSING | 1 | PBT 4815 | UL-94V0(BLACK) |
| LTR | PART NAME | QTY | MATERIAL | REMARK |
| DWN | LILY | DATE | 2016.06.20 | 3RD ANGLE PROJECTION NAME S JACK |
| CHKD | ANDY | DATE | 2016.06.20 | |
| APVD | JON | DATE | 2016.06.20 | |
| | | | | CAT. NO. MD-09124S-4 |
| JKCR Electronics Co., Ltd. | | | | DWN.NO. B-09124 |
| | | | | 001 |

UNLESS OTHERWISE SPECIFIED, TOLERANCE ON DECIMAL: ±0.3