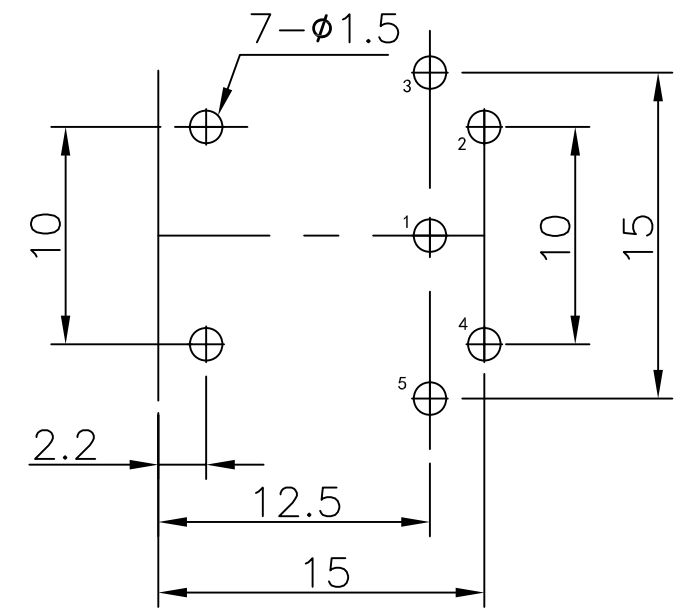
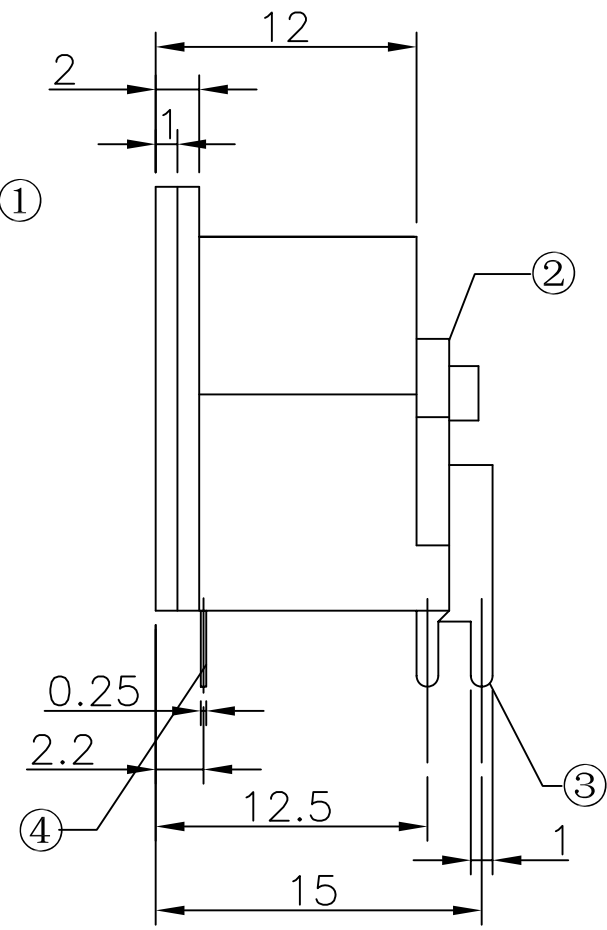
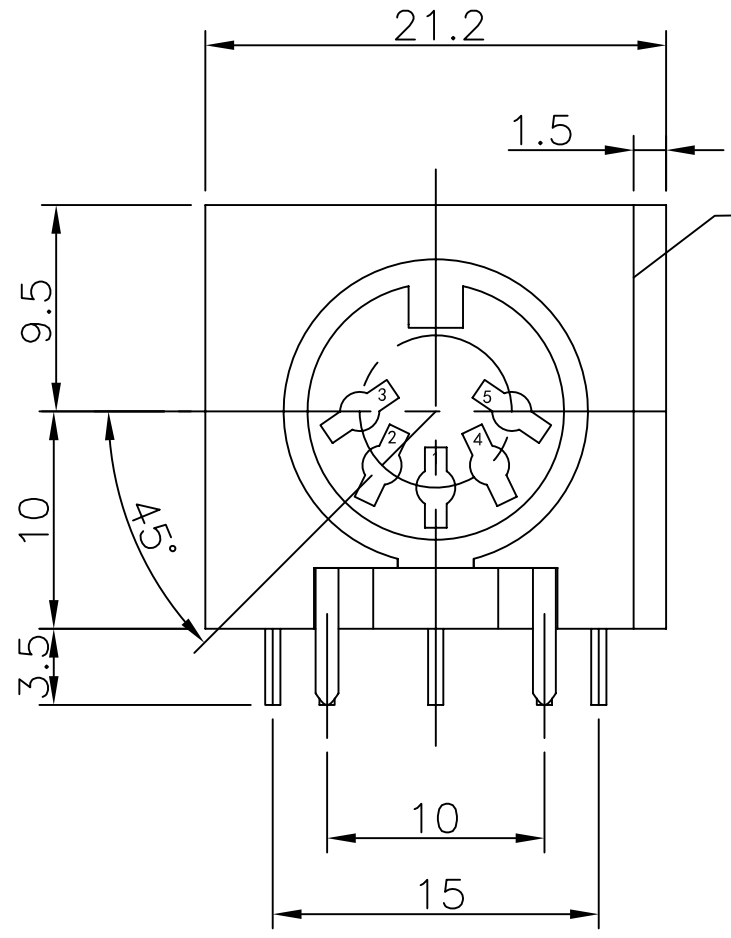
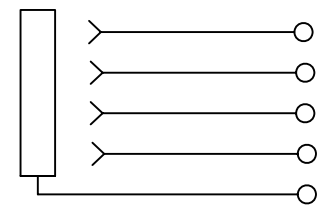


* REVISIONS				
LTR	DESCRIPTION	DATE	REVISED	APPROVED
1	修改寬度20.8為22.2 厚度改為:1.0	2013.12.27	ANDY	JON



T:1.6 Dimensions of PC board holes
Tolerance : ±0.05(Printed-top view)



SCHEMATIC DIAGRAM

UNLESS OTHERWISE SPECIFIED, TOLERANCE ON DECIMAL: ±0.3

LEAD FREE

4	CONTACT FOOT	1	C2680	t=0.25	Ag	PLATED
3	CONTACT FOOT	5	C5191	t=0.70	Ag	PLATED
2	COVER	1	PF		UL-94V0	
1	HOUSING	1	PBT 4815		UL-94V0(BLACK)	
LTR	PART NAME	QTY	MATERIAL	REMARK		
DWN	LILY	DATE	2013.12.27	3RD ANGLE PROJECTION	NAME S JACK	
CHKD	ANDY	DATE	2013.12.27		CAT. NO. MD-09067-5	
APVD	JON	DATE	2013.12.27		UNIT: mm	DWN.NO. B-09067
JKCR Electronics Co., Ltd.						003