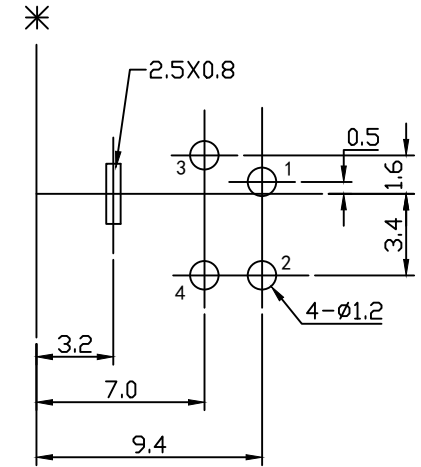
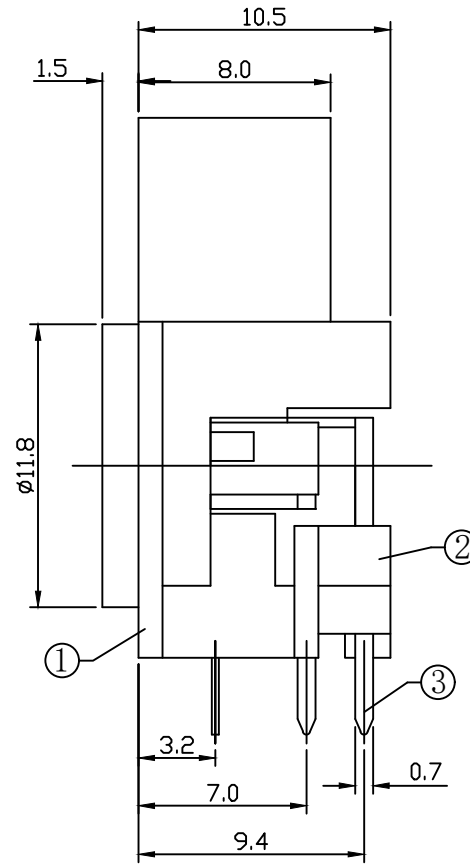
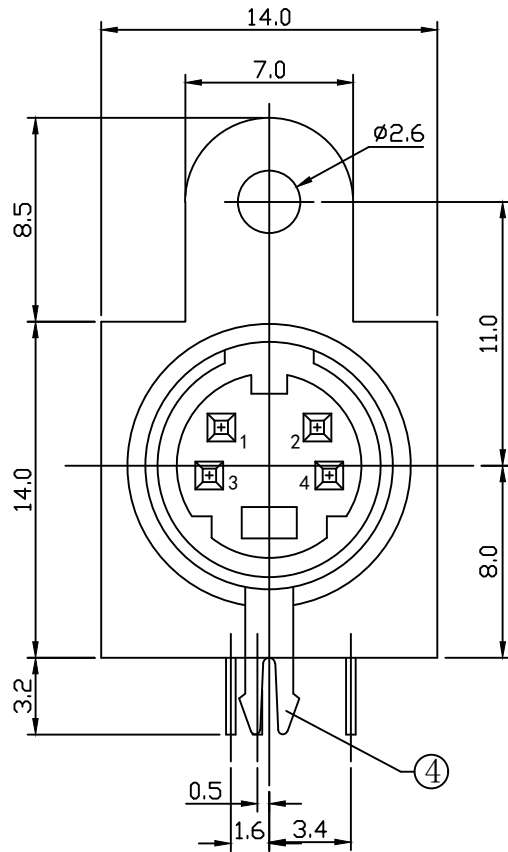
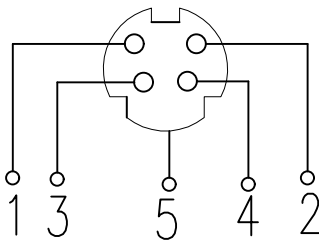


\* RoHS COMPLIANT \*

* REVISIONS				
LTR	DESCRIPTION	DATE	REVISED	APPROVED



\*  
 T:1.6 Dimensions of PC board holes  
 Tolerance : ±0.05(Printed-Top view)



SCHEMATIC DIAGRAM

UNLESS OTHERWISE SPECIFIED, TOLERANCE ON DECIMAL: ±0.3

4	GROUND CONTACT	1	C2680	Cu/Sn PLATED
3	CONTACT FOOT	4	C5191	Ag PLATED
2	COVER	1	PBT 4815	UL-94V0(BLACK)
1	HOUSING	1	PBT 4815	UL-94V0(BLACK)
LTR	PART NAME	QTY	MATERIAL	REMARK
DWN	LILY	DATE	2013.12.13	3RD ANGLE PROJECTION NAME S JACK CAT. NO. MD-09050-4 DWN.NO. B-09050
CHKD	ANDY	DATE	2013.12.13	
APVD	JON	DATE	2013.12.13	
JKCR Electronics Co., Ltd.				001