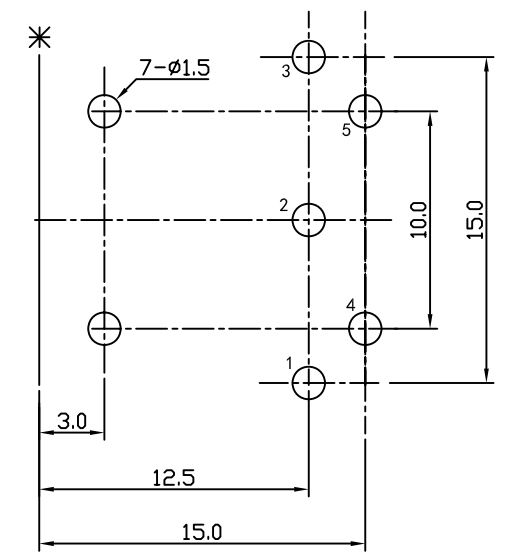
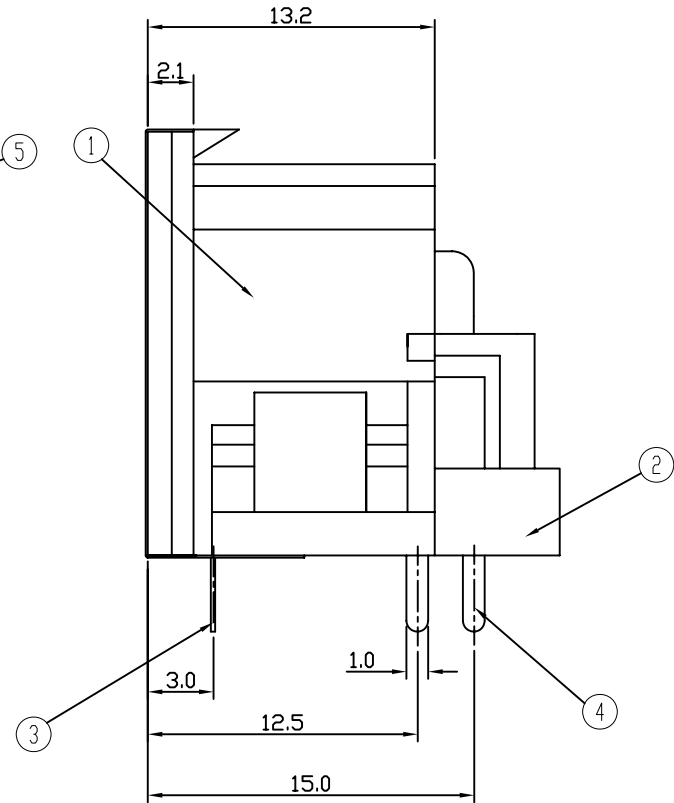
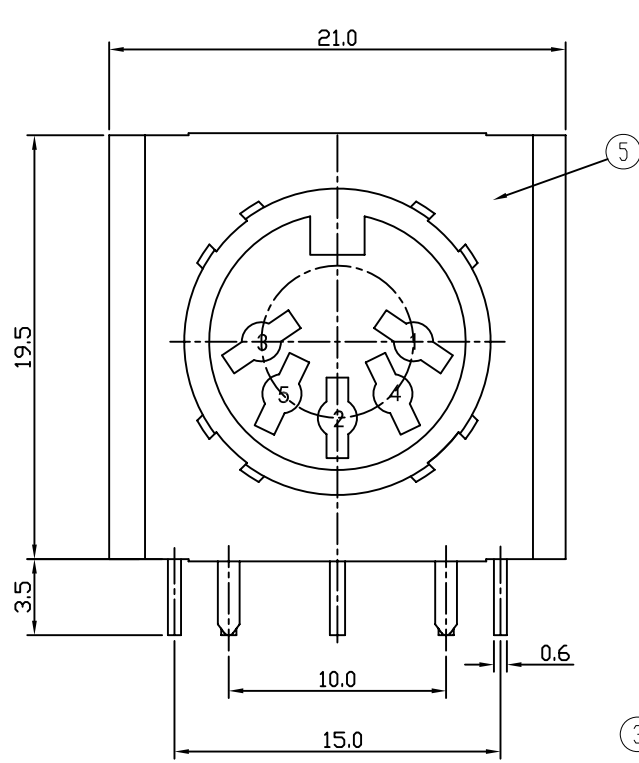
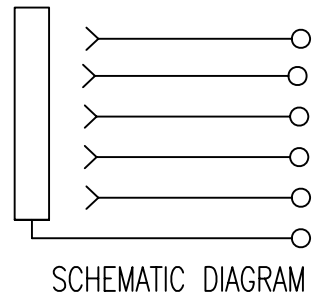


* REVISIONS				
LTR	DESCRIPTION	DATE	REVISED	APPROVED



* T:1.6 Dimensions of PC board holes
Tolerance : ±0.05(Printed-top view)



LEAD FREE

5	SEALED PLATE	1	C2680	t=0.2	Cu/Sn PLATED
4	CONTACT FOOT	5	C5191	t=0.2	Ag PLATED
3	CONTACT FOOT	1	C2680	t=0.6	Ag PLATED
2	COVER	1	PBT 4815		UL-94V0(BLACK)
1	HOUSING	1	PBT 4815		UL-94V0(BLACK)

LTR	PART NAME	QTY	MATERIAL	REMARK	
DWN	LILY	DATE	2014.01.13	3RD ANGLE PROJECTION	
CHKD	ANDY	DATE	2014.01.13		
APVD	JON	DATE	2014.01.13		
JKCR Electronics Co., Ltd.				NAME	S JACK
				CAT. NO.	MD-09034V-5
				DWN.NO.	B-09034
					001

UNLESS OTHERWISE SPECIFIED, TOLERANCE ON DECIMAL: ±0.3