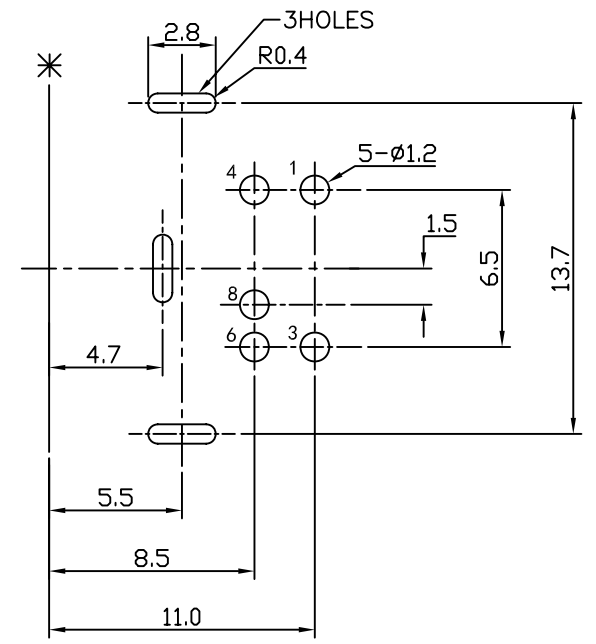
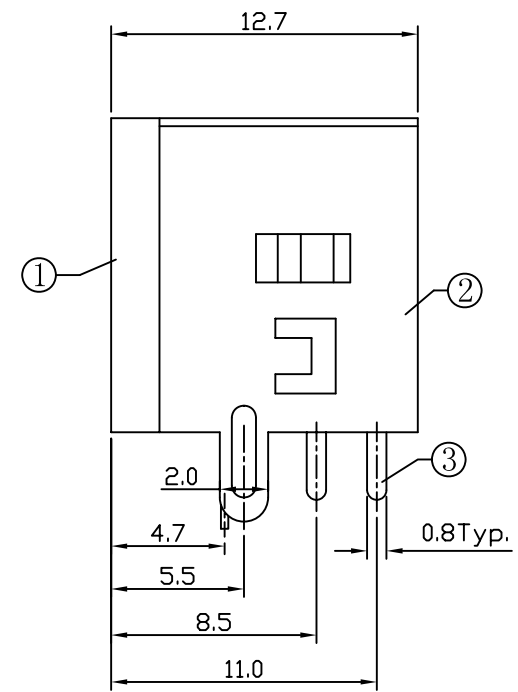
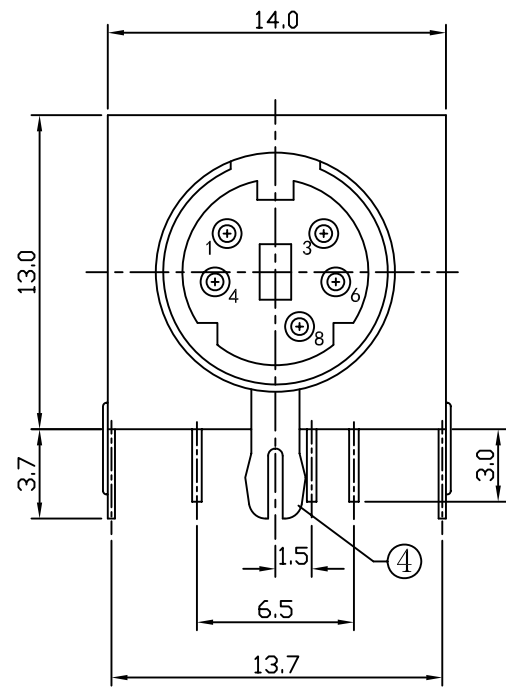
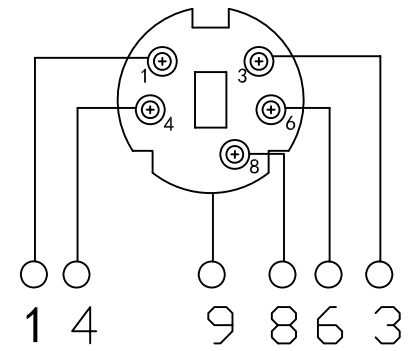


* REVISIONS				
LTR	DESCRIPTION	DATE	REVISED	APPROVED



* T:1.6 Dimensions of PC board holes
Tolerance : ±0.05(Printed-top view)



SCHEMATIC DIAGRAM

UNLESS OTHERWISE SPECIFIED, TOLERANCE ON DECIMAL: ±0.3

LEAD FREE

4	GROUND CONTACT	1	C2680	t=0.4	Cu/Sn	PLATED
3	CONTACT FOOT	4	C5191	t=0.4	Ag	PLATED
2	COAT	1	SPCC	t=0.5	Cu/Sn	PLATED
1	HOUSING	1	PBT 4815		UL-94VO	(BLACK)
LTR	PART NAME	QTY	MATERIAL	REMARK		
DWN	LILY	DATE	2013.05.19	3RD ANGLE PROJECTION	NAME S JACK	
CHKD	ANDY	DATE	2013.05.19		CAT. NO. MD-09030-5	
APVD	JON	DATE	2013.05.19		UNIT: mm	DWN.NO. B-09030
JKCR Electronics Co., Ltd.						001