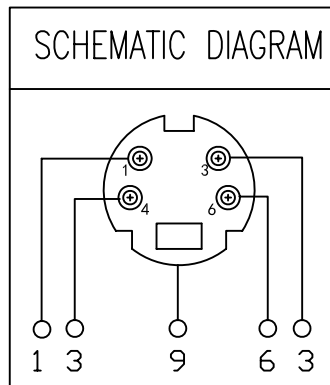
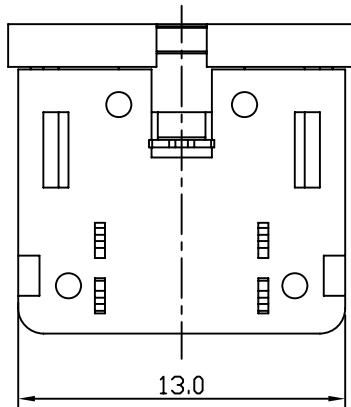
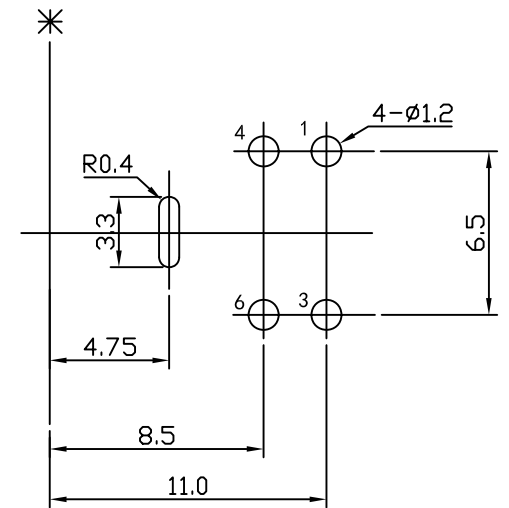
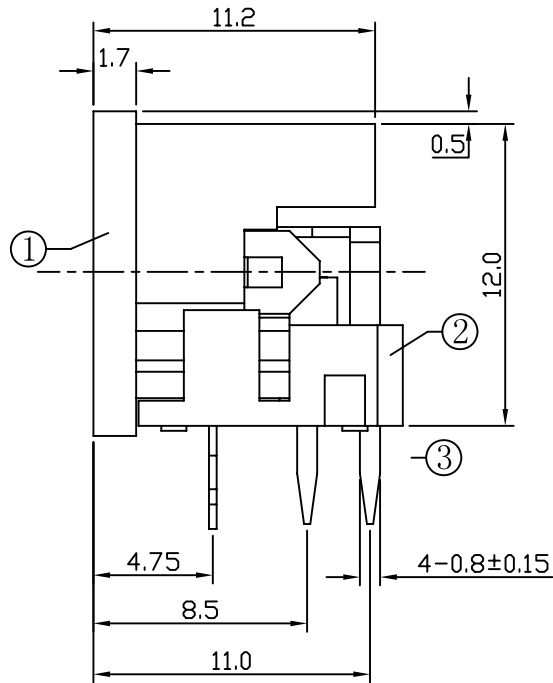
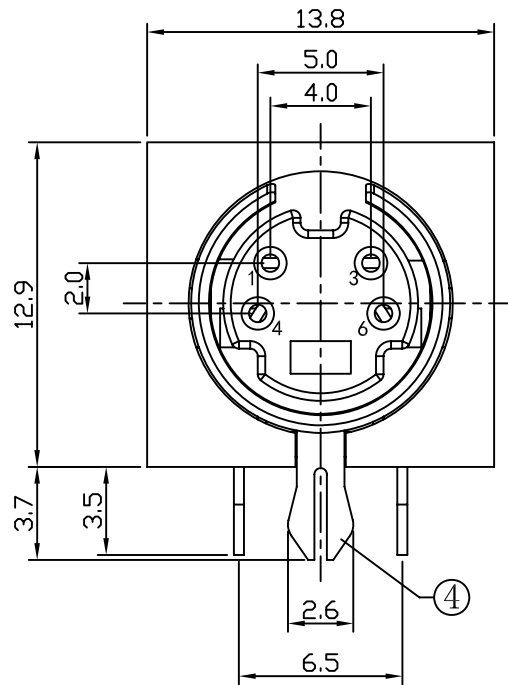


* REVISIONS				
LTR	DESCRIPTION	DATE	REVISED	APPROVED



T:1.6 Dimensions of PC board holes
Tolerance : ± 0.05 (Printed-bottom view)

LEAD FREE

4	GROUND CONTACT	1	C2680	t=0.3	Cu/Sn	PLATED
3	CONTACT FOOT	4	C5191	t=0.4	Ag	PLATED
2	COVER	1	PBT 4815		UL-94V0(BLACK)	
1	HOUSING	1	PBT 4815		UL-94V0(BLACK)	
LTR	PART NAME	QTY	MATERIAL		REMARK	
DWN	LILY	DATE	2015.03.04	3RD ANGLE PROJECTION	NAME S JACK	
CHKD	ANDY	DATE	2015.03.04		CAT. NO. MD-09020-4	
APVD	JON	DATE	2015.03.04	UNIT: mm	DWN.NO. B-09020	
JKCR Electronics Co., Ltd.						003

UNLESS OTHERWISE SPECIFIED, TOLERANCE ON DECIMAL: ± 0.3