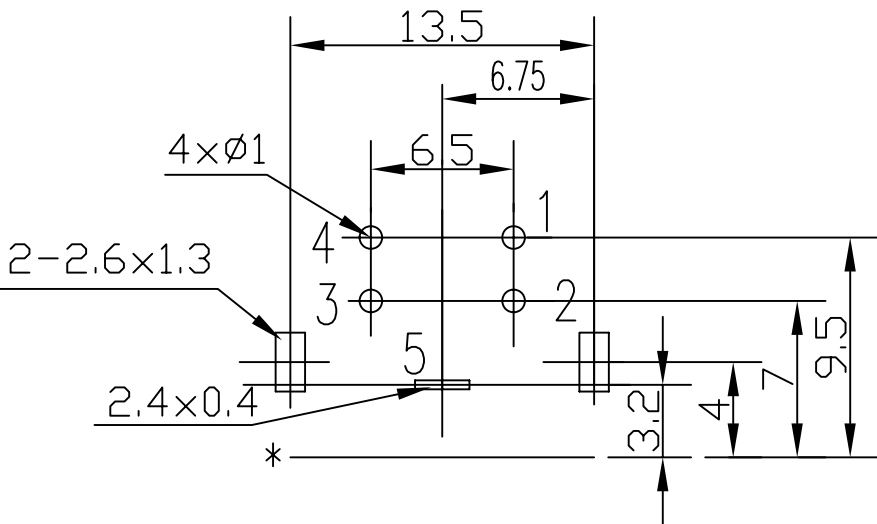
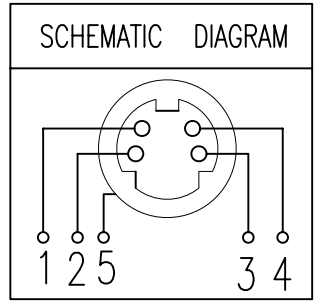
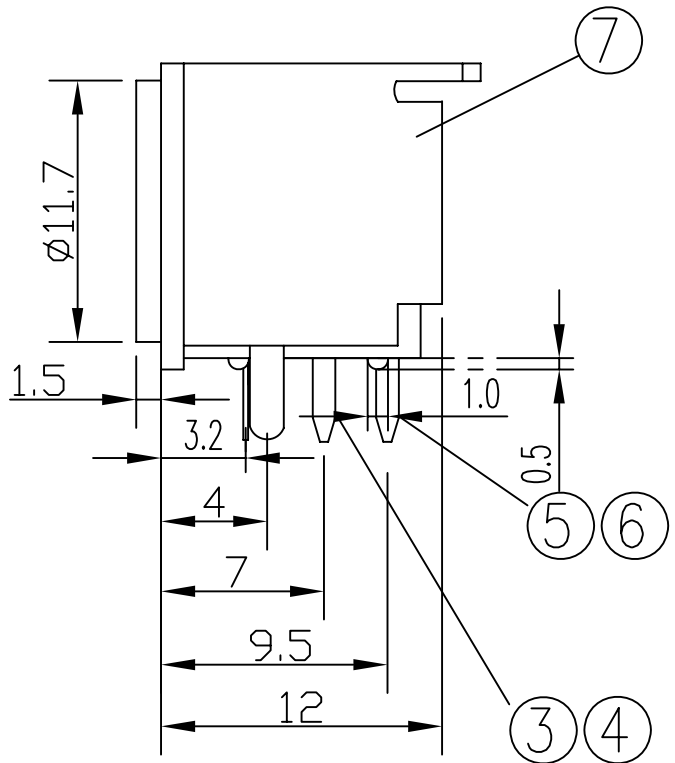
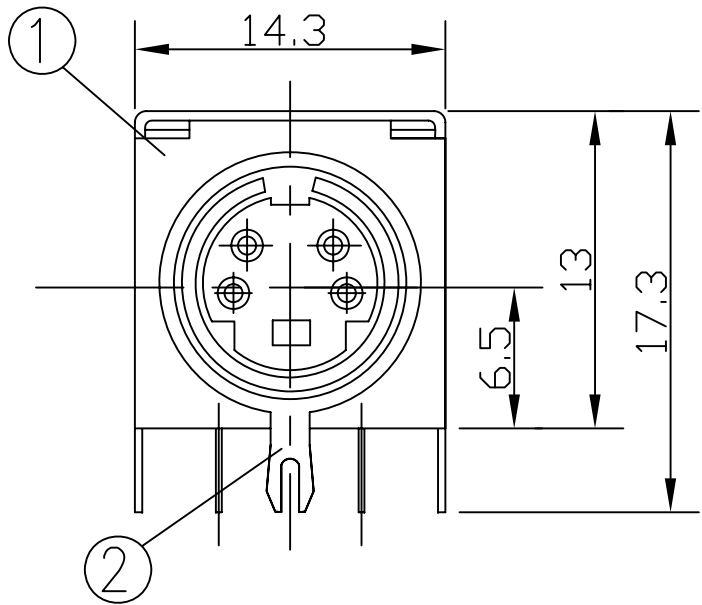


* REVISIONS				
LTR	DESCRIPTION	DATE	REVISED	APPROVED



### LEAD FREE

7	COAT	1	SPCC	t=0.4	Cu/Sn PLATED
6	TERMINAL	1	C2680	t=0.4	Ag PLATED
5	TERMINAL	1	C2680	t=0.4	Ag PLATED
4	TERMINAL	1	C2680	t=0.4	Ag PLATED
3	TERMINAL	1	C2680	t=0.4	Ag PLATED
2	GROUND CONTACT	1	C2680	t=0.3	Cu/Sn PLATED
1	HOUSING	1	PBT 4815		UL-94V0(BLACK)

LTR	PART NAME	QTY	MATERIAL	REMARK
DWN	LILY	DATE	2013.12.26	3RD ANGLE PROJECTION
CHKD	ANDY	DATE	2013.12.26	
APVD	JON	DATE	2013.12.26	

T:1.6 Dimensions of PC board holes  
Tolerance : ±0.05(Printed-bottom view)

UNLESS OTHERWISE SPECIFIED, TOLERANCE ON DECIMAL: ±0.3

**JKCR Electronics Co., Ltd.**

NAME: S JACK  
CAT. NO.: MD-09017-4  
DWN.NO.: B-09017 001