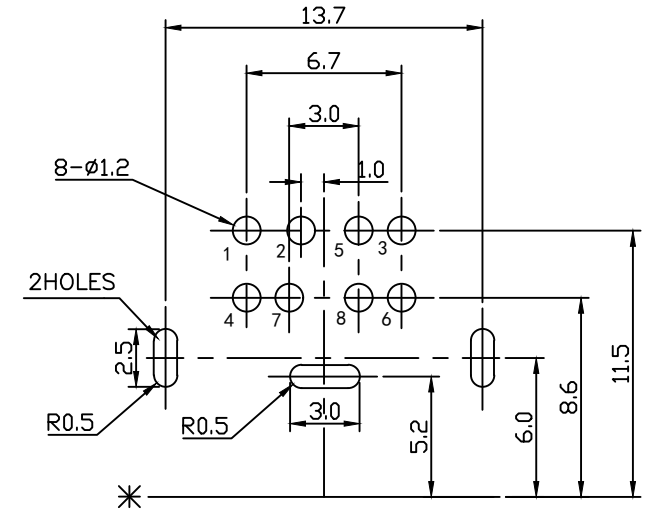
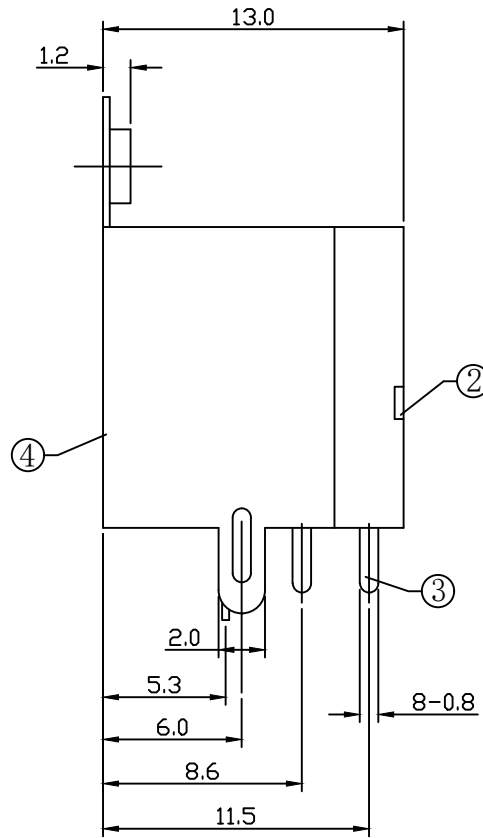
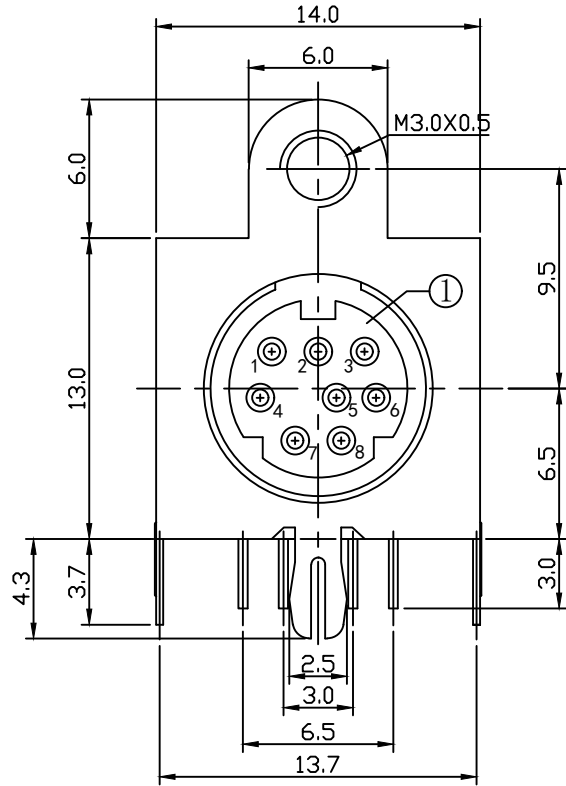
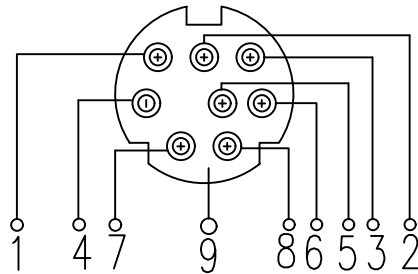


\* RoHS COMPLIANT \*

* REVISIONS				
LTR	DESCRIPTION	DATE	REVISED	APPROVED



\*  
T:1.6 Dimensions of PC board holes  
 Tolerance : ±0.05(Printed-top view)



SCHEMATIC DIAGRAM

UNLESS OTHERWISE TOLECIFIED TOLERANCE ON DECIMAL:±0.3

4	COAT	1	C2680	Cu/Sn PLATED
3	CONTACT FOOT	8	C5191	Ag PLATED
2	COVER	1	C2680	Cu/Sn PLATED
1	HOUSING	1	PBT 4815	UL-94V0(BLACK)
LTR	PART NAME	QTY	MATERIAL	REMARK
DWN	LILY	DATE	2015.07.01	3RD ANGLE PROJECTION NAME S JACK
CHKD	ANDY	DATE	2015.07.01	
APVD	JON	DATE	2015.07.01	
				CAT. NO. MD-09016-8
JKCR Electronics Co., Ltd.				DWN.NO. B-09016
				001