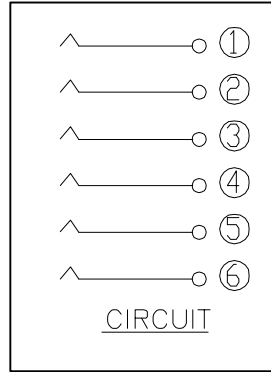
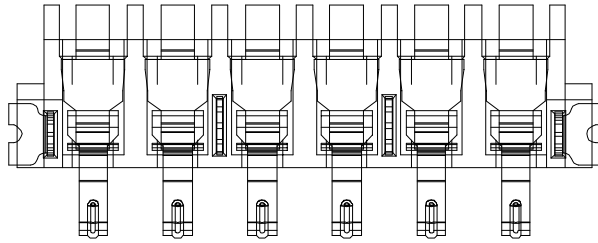


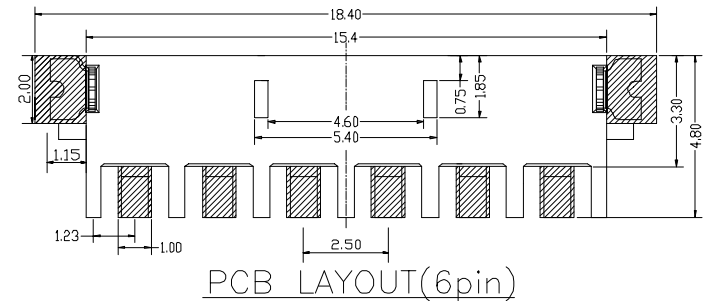
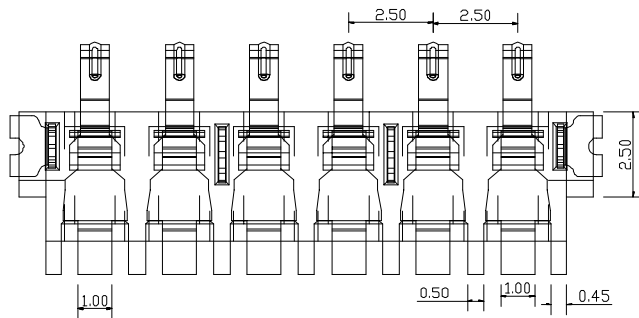
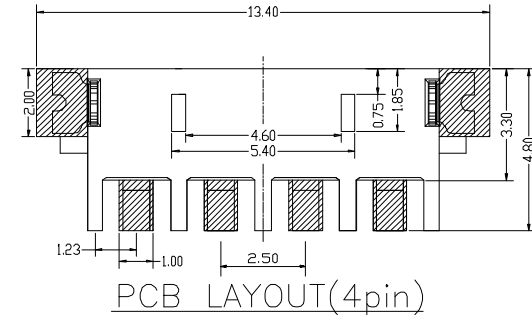
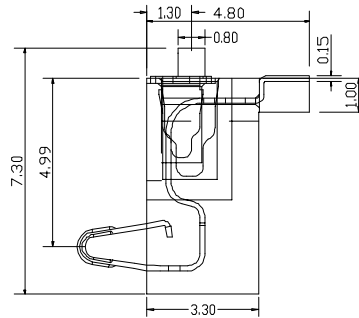
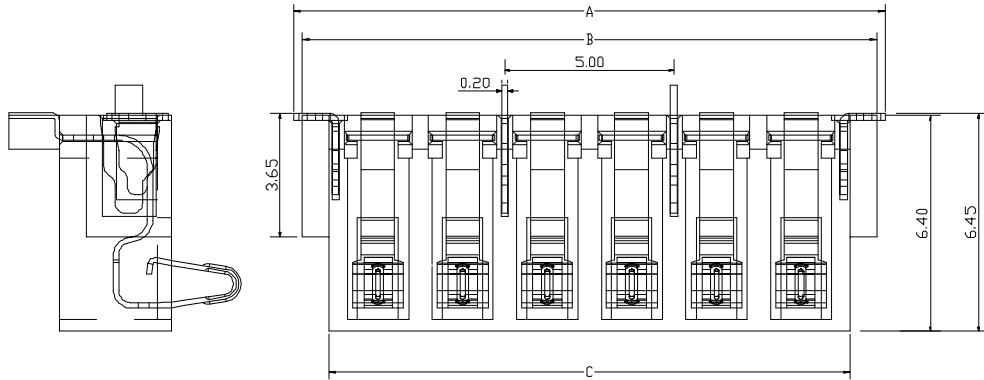
* RoHS COMPLIANT *

* REVISIONS

LTR	DESCRIPTION	DATE	REVISED	APPROVED



PART No.	PIN	A	B	C
JCBA-CL-038-6P	6P	17.8	17	15.4
JCBA-CL-038-4P	4P	12.8	12	10.4



UNLESS OTHERWISE SPECIFIED, TOLERANCE ON DECIMAL: ±0.3

DWN	LILY	DATE	2018.09.06	3RD ANGLE PROJECTION	NAME	BATTERY
CHKD	ANDY	DATE	2018.09.06		CAT. NO.	JCBA-CL-038-XP
APVD	JON	DATE	2018.09.06		UNIT: mm	DWN.NO.
JKCR Electronics Co., Ltd.						001