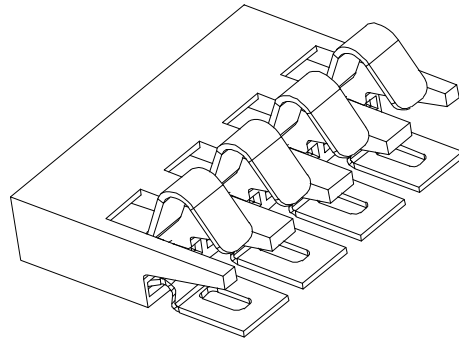
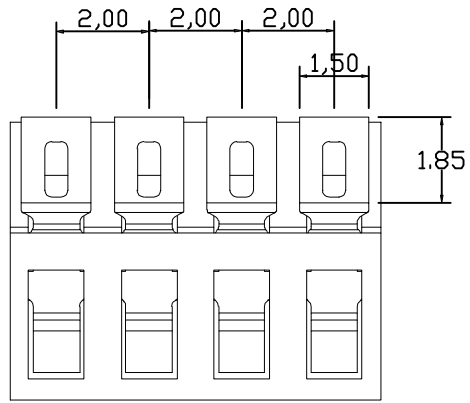
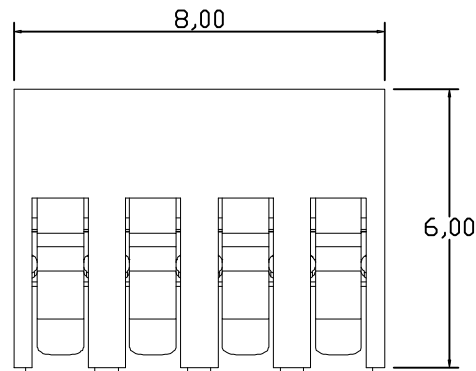
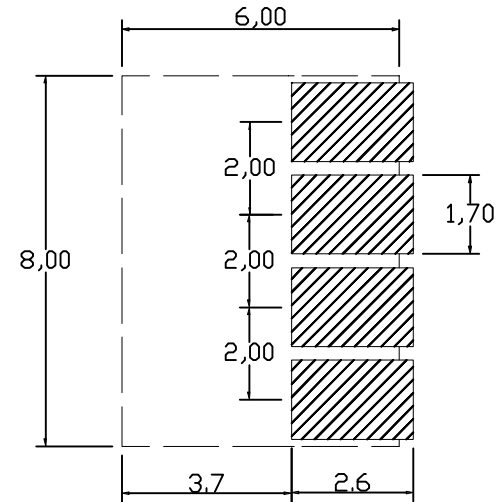
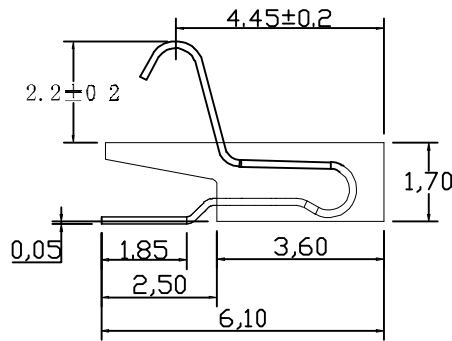
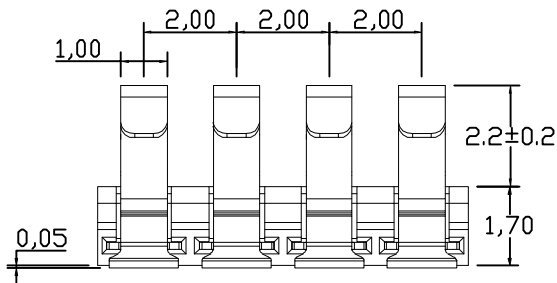


* RoHS COMPLIANT *

* REVISIONS				
LTR	DESCRIPTION	DATE	REVISED	APPROVED



性能:
 額定電流:2.0A
 額定電壓:12V
 耐電壓:500V
 接觸阻抗:30mΩ
 絕緣阻抗:500mΩ
 工作溫度:-40度~+85度
 塑件材質:LCP
 接觸點材質:磷銅,鍍金



RECOMMENDED PCB LAYOUT

TOP VIEW (.XX±0.05)

UNLESS OTHERWISE SPECIFIED, TOLERANCE ON DECIMAL: ±0.3

DWN	LILY	DATE	2018.12.12	3RD ANGLE PROJECTION	NAME	BATTERY
CHKD	ANDY	DATE	2018.12.12		CAT. NO.	JCBA-BC4P20H39
APVD	JON	DATE	2018.12.12		UNIT: mm	
JKCR Electronics Co., Ltd.					DWN.NO.	HB-BC4P20H39 001