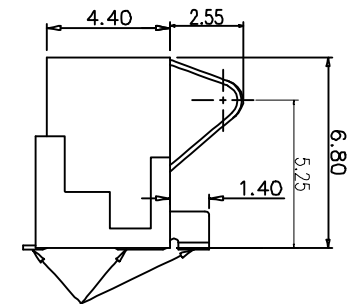
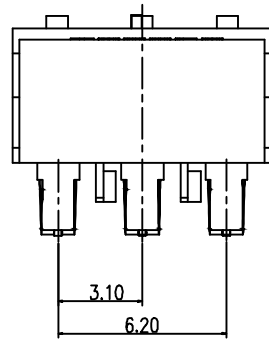
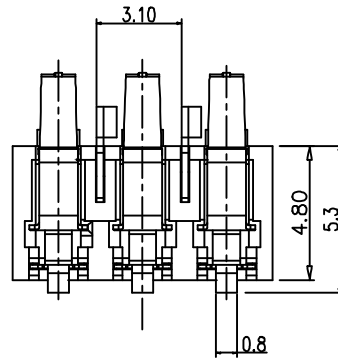
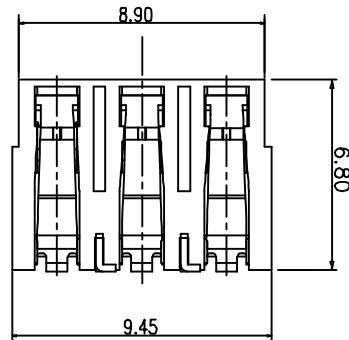


\* RoHS COMPLIANT \*



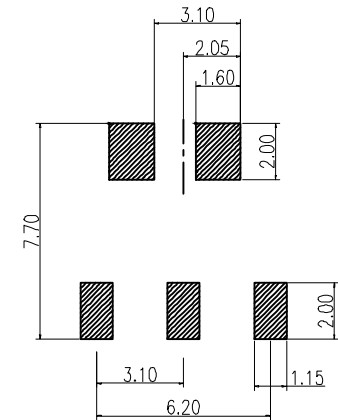
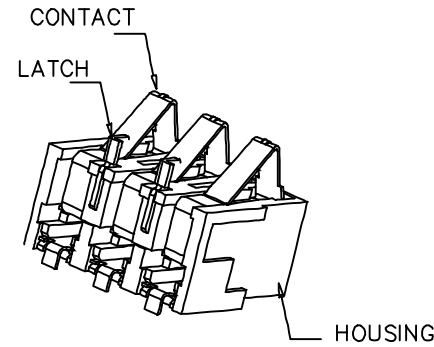
COPLANARITY IS 0.10 MM MAX



* REVISIONS				
LTR	DESCRIPTION	DATE	REVISED	APPROVED

SPECIFICATION

- 1.CURRENT RATING:3A MAX.
- 2.DIELECTRIC WITHSTANDING VOLTAGE:350V AC R.M.S FOR ONE MINUTE.
- 3.INSULATION RESISTANCE:250MOHM.MIN AT 250V DC.
- 4.OPERATING TEMPERATURE:-40°C TO+85°C.
- 5.RoHS 2002/95/EC COMPLIANT.



RECOMMENDED PCB LAYOUT  
TOP VIEW  
TOLERANCE:±0.05

3	TERMINAL	3	COPPER ALLOY	Au PLATING	GOLD PLATING ALL OVER
2	PEG	2	COPPER ALLOY	Ni PLATING	PLATING 100u" MIN. TIN AND 50u" MIN.NI
1	HOUSING	1	THERMOPLASTIC		UL 94V-0
ITEM	NAME	Q'TY	MATERIAL	FINISHED	NOTE

DWN	LILY	DATE	2019.08.05	3RD ANGLE PROJECTION	NAME	BATTERY
CHKD	ANDY	DATE	2019.08.05		CAT. NO.	JCBA-BC3P31H68
APVD	JON	DATE	2019.08.05		UNIT: mm	
JKCR Electronics Co., Ltd.					DWN.NO.	HB-BC3P31H68
						001

UNLESS OTHERWISE SPECIFIED, TOLERANCE ON DECIMAL: ±0.3