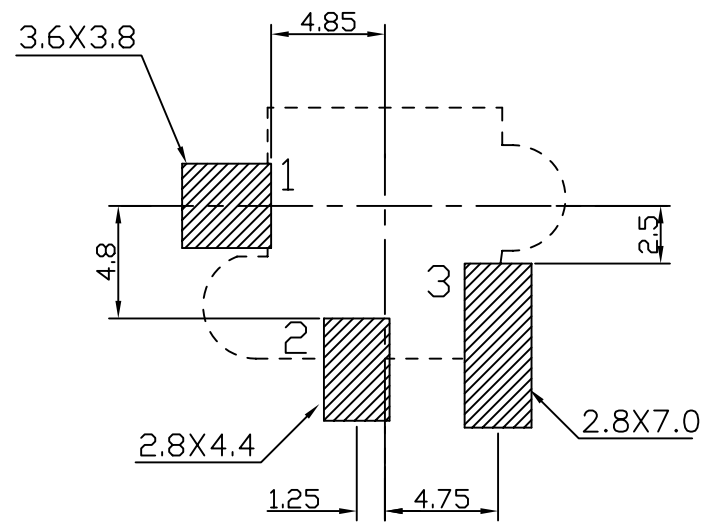
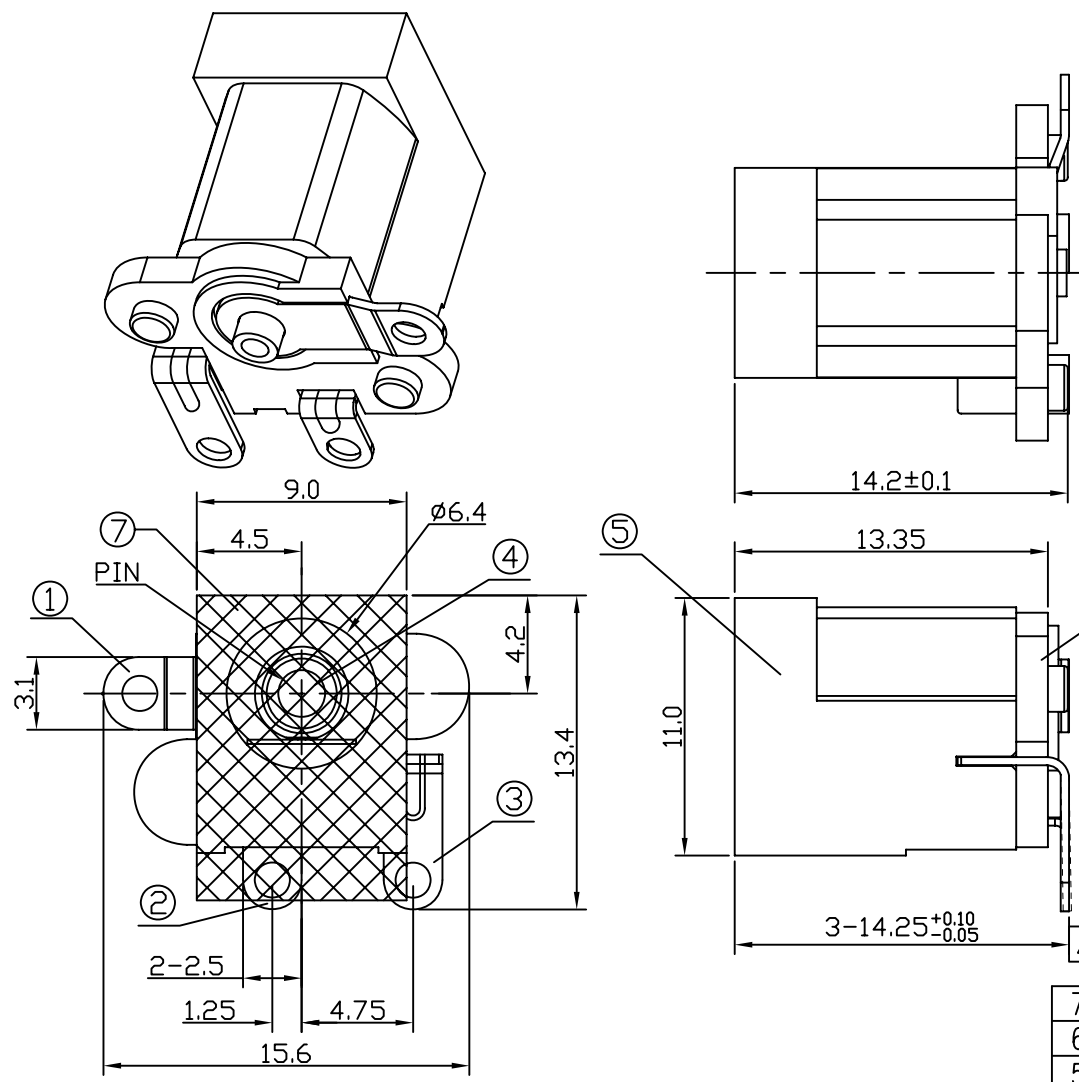


* REVISIONS				
LTR	DESCRIPTION	DATE	REVISED	APPROVED



T:1.6 Dimensions of PC board holes
Tolerance : ±0.05(Printed-top view)

LEAD FREE

SCHEMATIC		
DCD-020-25MA	φ2.0	
DCD-020-25MB	φ2.5	

UNLESS OTHERWISE SPECIFIED, TOLERANCE ON DECIMAL: ±0.2

LTR	PART NAME	QTY	MATERIAL	REMARK
7	MYLAR	1	POLYIMIDE TAPE	
6	COVER	1	PA9T	UL-94V0(BLACK)
5	HOUSING	1	PA9T	UL-94V0(BLACK)
4	PIN	1	H59(COPPER ALLOY)	Ni PLATED
3	TERMINAL	1	C2680 t=0.35	Ag PLATED
2	TERMINAL	1	C5191 t=0.30	Ag PLATED
1	TERMINAL	1	C2680 t=0.35	Ag PLATED
DWN	LILY	DATE	2014.07.20	3RD ANGLE PROJECTION
CHKD	ANDY	DATE	2014.07.20	NAME DC POWER JACK
APVD	JON	DATE	2014.07.20	CAT. NO. DCS-020-25M
JKCR Electronics Co., Ltd.				DWN.NO. A-020-25
				001