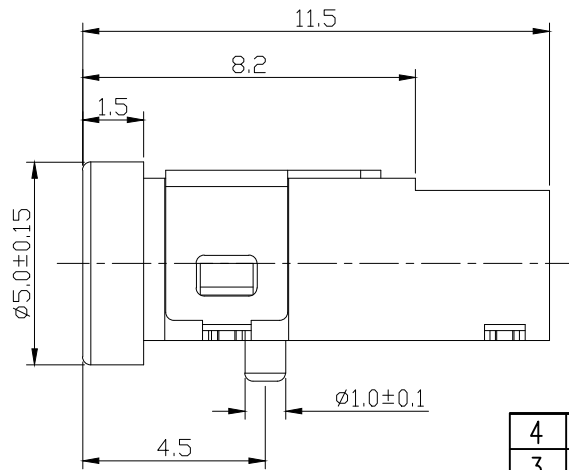
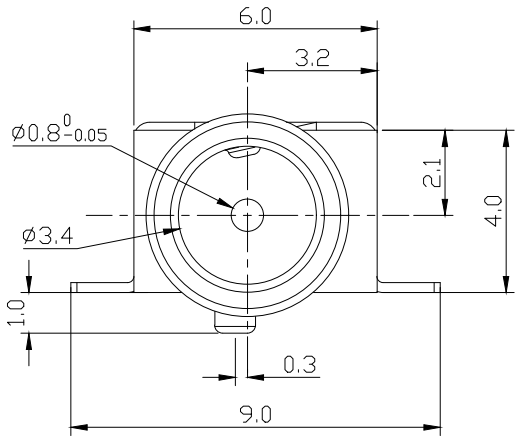
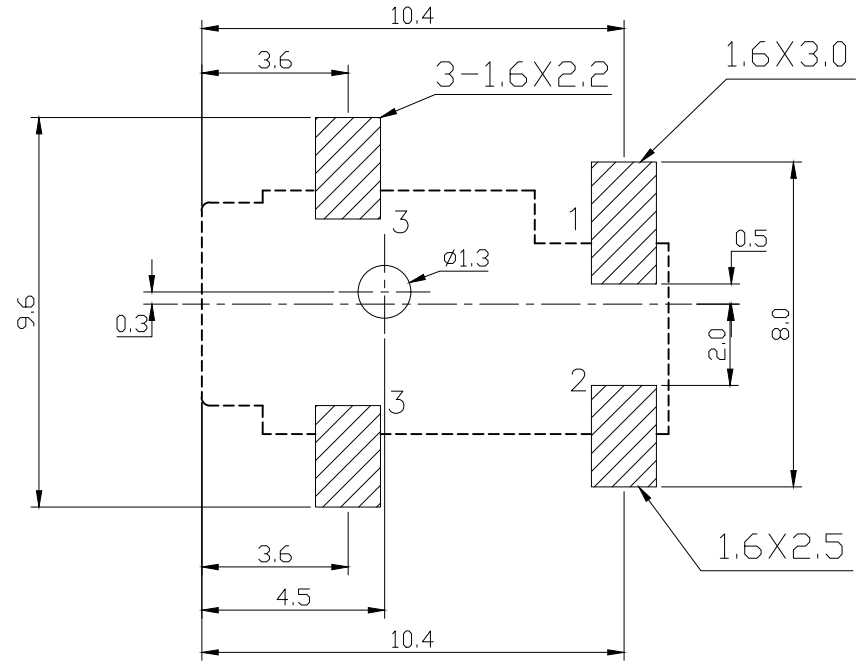
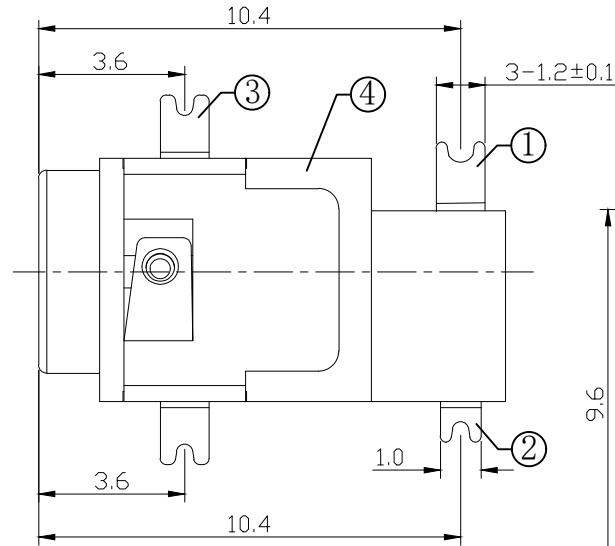
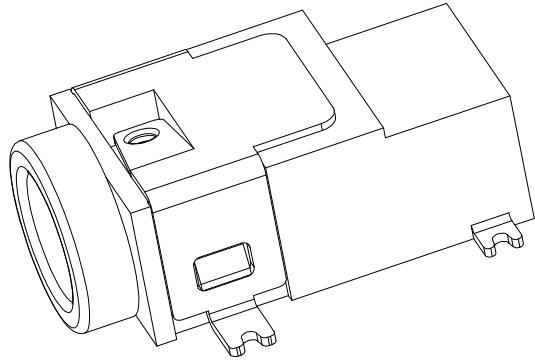
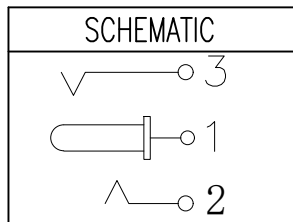


\* RoHS COMPLIANT \*

* REVISIONS				
LTR	DESCRIPTION	DATE	REVISED	APPROVED



T:1.6 Dimensions of PC board holes  
Tolerance : ±0.05(Printed-top view)



UNLESS OTHERWISE SPECIFIED, TOLERANCE ON DECIMAL:±0.2

4	HOUSING	1	PA9T		UL-94V0(BLACK)
3	CONTACT FOOT	1	C5191	t=0.20	Ag PLATED
2	SPRING PIECE	1	C5191	t=0.25	Ag PLATED
1	PIN TERMINAL	1	C2680	t=0.20	Ag PLATED
LTR	PART NAME	QTY	MATERIAL		REMARK
DWN	LILY	DATE	2013.05.16	3RD ANGLE PROJECTION	NAME DC POWER JACK
CHKD	ANDY	DATE	2013.05.16		CAT. NO. DCS-020-12
APVD	JON	DATE	2013.05.16		UNIT: mm
JKCR Electronics Co., Ltd.					DWN.NO. A-020-12
					001