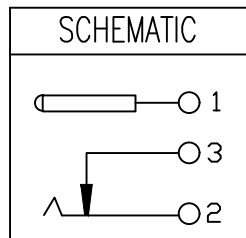
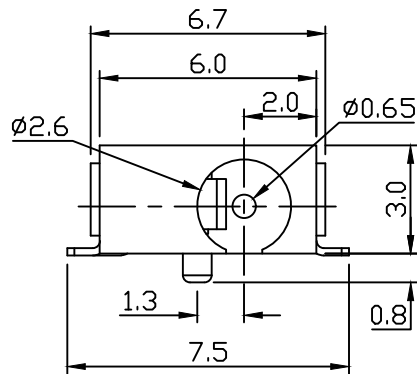
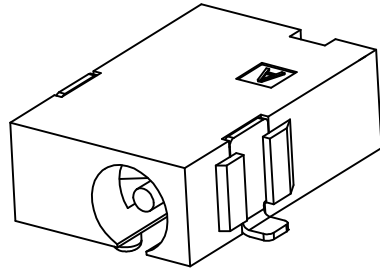
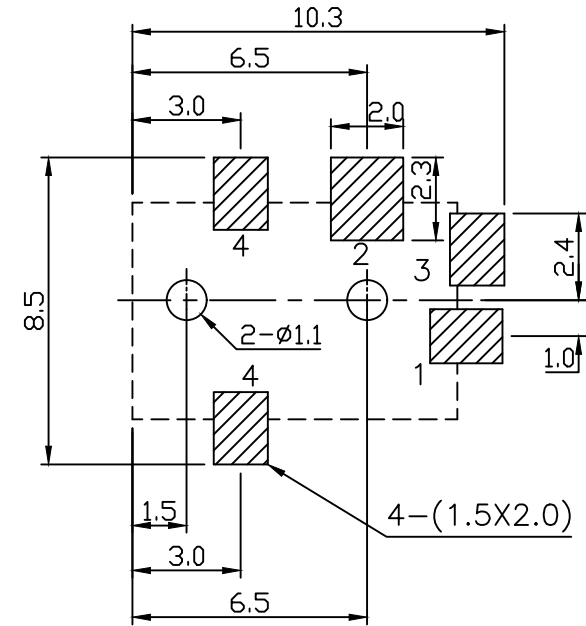
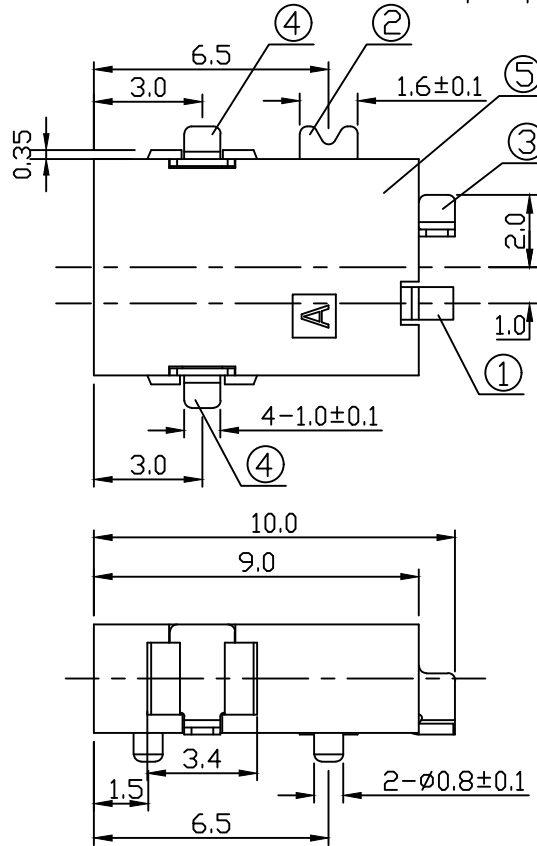


* RoHS COMPLIANT *



UNLESS OTHERWISE SPECIFIED, TOLERANCE ON DECIMAL: ±0.2



T:1.6 Dimensions of PC board holes
Tolerance : ±0.05(Printed-top view)

* REVISIONS				
LTR	DESCRIPTION	DATE	REVISED	APPROVED

5	HOUSING	1	PA9T	UL-94V0(BLACK)
4	TERMAINL	2	C2680 t=0.20	Ag PLATED
3	TERMINAL 3#	1	C2680 t=0.20	Ag PLATED
2	TERMINAL 2#	1	C5191 t=0.20	Ag PLATED
1	TERMINAL 1#	1	H59(COPPER ALLOY)	Ag PLATED
LTR	PART NAME	QTY	MATERIAL	REMARK
DWN	LILY	DATE	2013.03.25	NAME DC POWER JACK CAT. NO. DCS-020-09 DWN.NO. A-020-09
CHKD	ANDY	DATE	2013.03.25	
APVD	JON	DATE	2013.03.25	
JKCR Electronics Co., Ltd.				UNIT: mm
				001