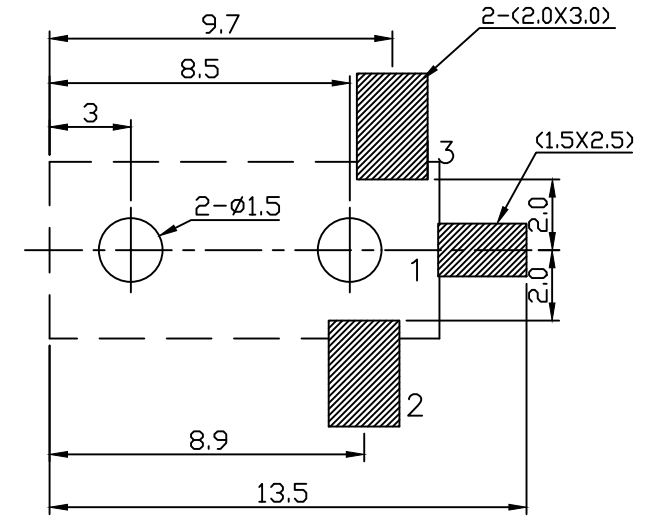
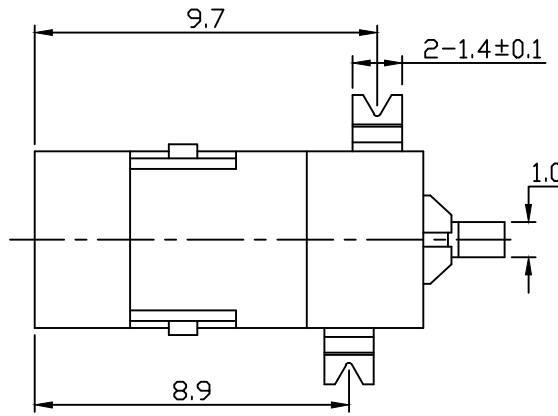
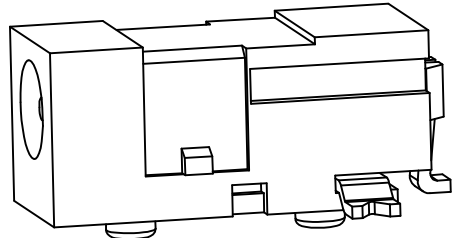
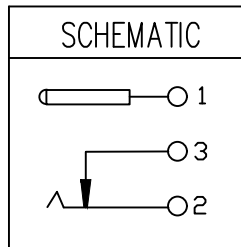
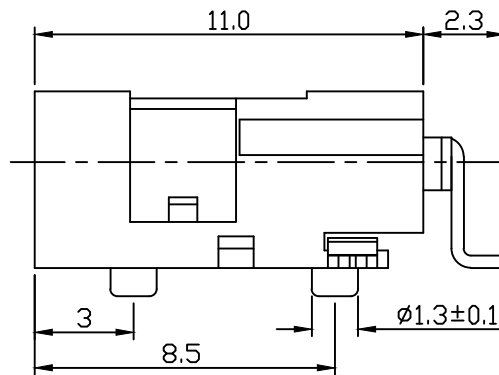
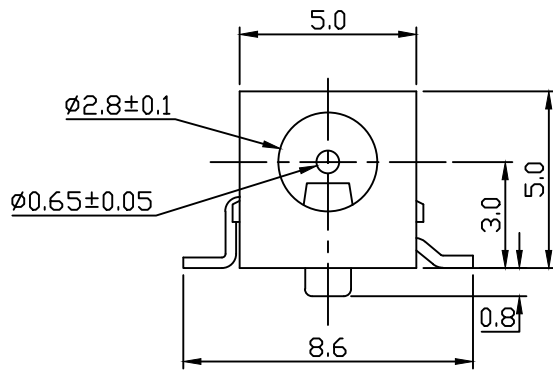


\* RoHS COMPLIANT \*

* REVISIONS				
LTR	DESCRIPTION	DATE	REVISED	APPROVED



T:1.6 Dimensions of PC board holes  
Tolerance : ±0.05(Printed-top view)



UNLESS OTHERWISE SPECIFIED, TOLERANCE ON DECIMAL:±0.2

4	HOUSING	1	PA9T	UL-94V0(BLACK)
3	CURVE PIECE	1	C2680 t=0.30	Ag PLATED
2	SPRING FOOT	1	C5191 t=0.25	Ag PLATED
1	PIN	1	H59(COPPER ALLOY)	Ag PLATED
LTR	PART NAME	QTY	MATERIAL	REMARK
DWN	LILY	DATE	2013.06.12	3RD ANGLE PROJECTION NAME DC POWER JACK CAT. NO. DCD-020-08 DWN.NO. A-020-08
CHKD	ANDY	DATE	2013.06.12	
APVD	JON	DATE	2013.06.12	
JKCR Electronics Co., Ltd.				001