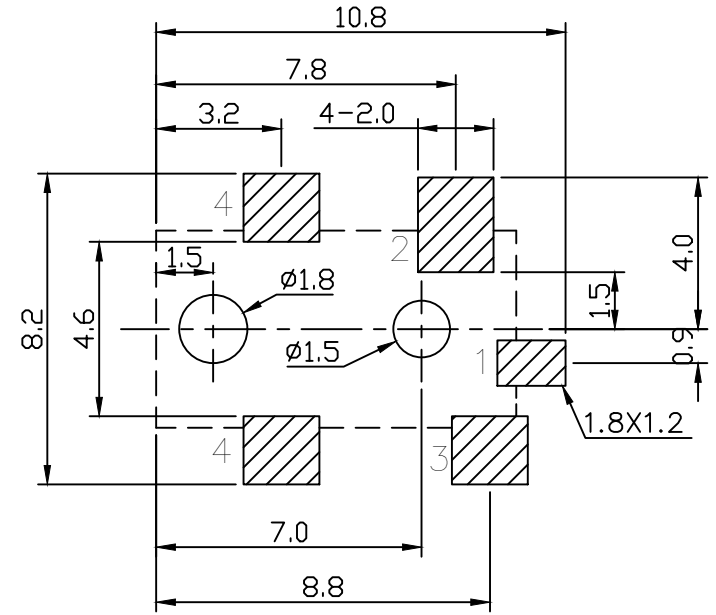
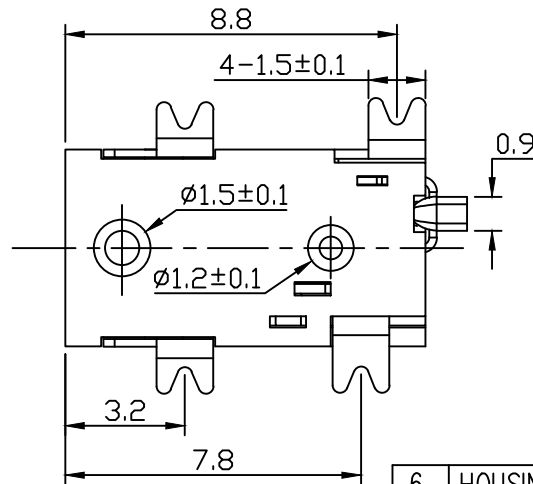
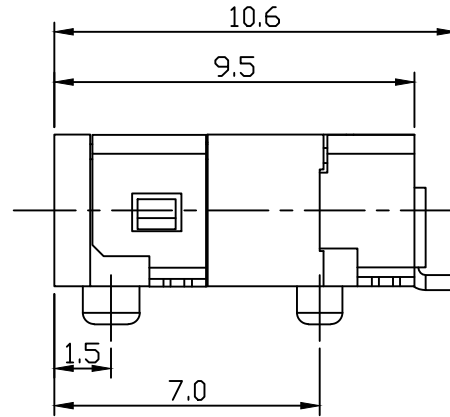
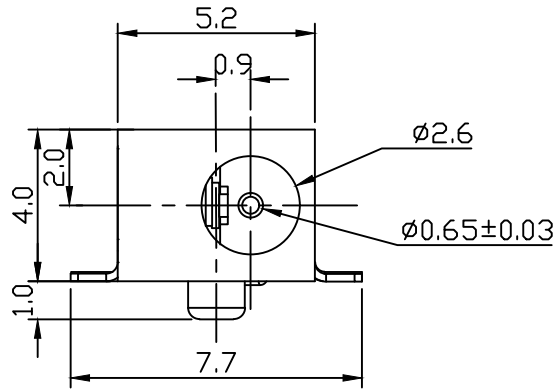


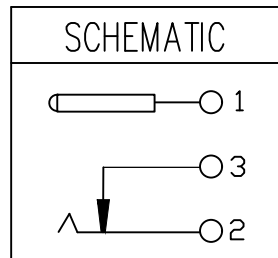
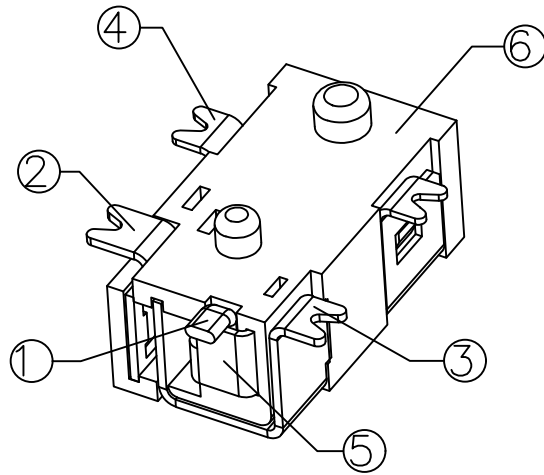
\* RoHS COMPLIANT \*

Rated voltage/ Rated current : 12V/1A

* REVISIONS				
LTR	DESCRIPTION	DATE	REVISED	APPROVED



T:1.6 Dimensions of PC board holes  
Tolerance :  $\pm 0.05$  (Printed-top view)



6	HOUSING	1	PA9T	UL-94V0(BLACK)
5	TERMINAL	1	SUS301 t=0.20	Ag PLATED
4	TERMINAL	1	C2680 t=0.20	Ag PLATED
3	SHUNT TERMINAL	1	C2680 t=0.25	Ag PLATED
2	TIP SPRING	1	C5191 t=0.25	Ag PLATED
1	PIN	1	H59(COPPER ALLOY)	Ag PLATED

LTR	PART NAME	QTY	MATERIAL	REMARK
DWN	LILY	DATE	2013.04.10	3RD ANGLE PROJECTION NAME DC POWER JACK CAT. NO. DCS-020-05 DWN.NO. A-020-05
CHKD	ANDY	DATE	2013.04.10	
APVD	JON	DATE	2013.04.10	

UNLESS OTHERWISE SPECIFIED, TOLERANCE ON DECIMAL:  $\pm 0.2$

JKCR Electronics Co., Ltd.

001