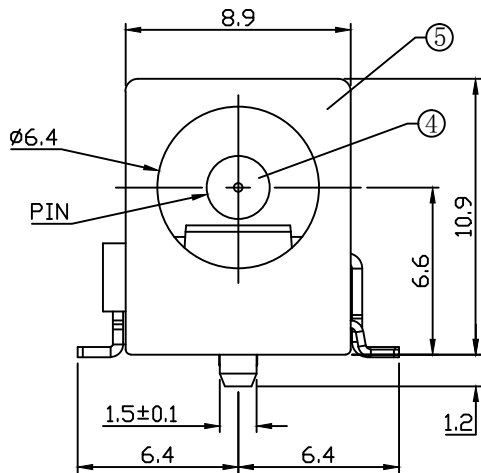
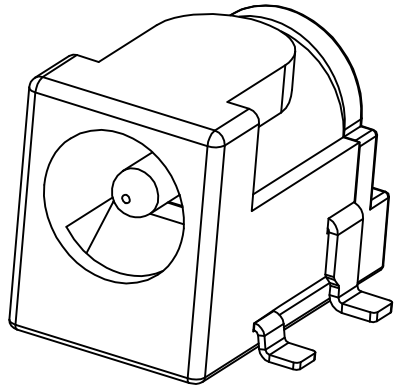
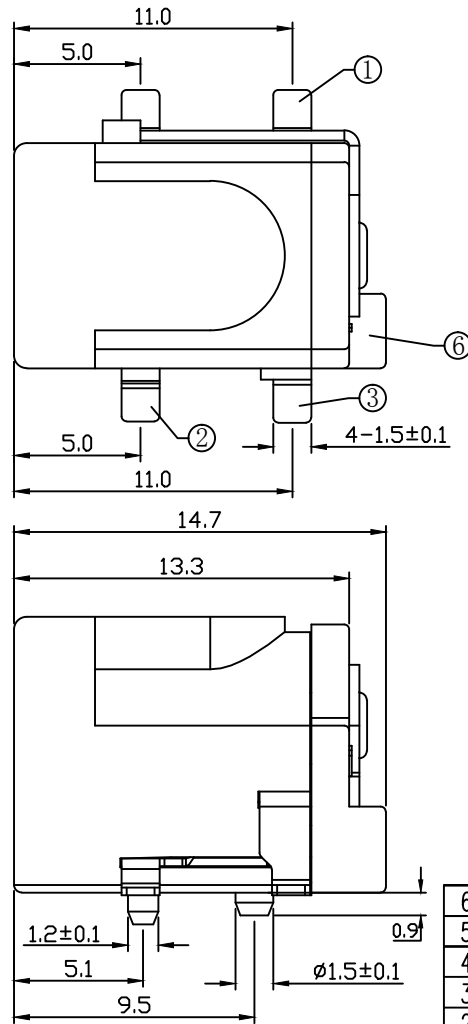


* RoHS COMPLIANT *

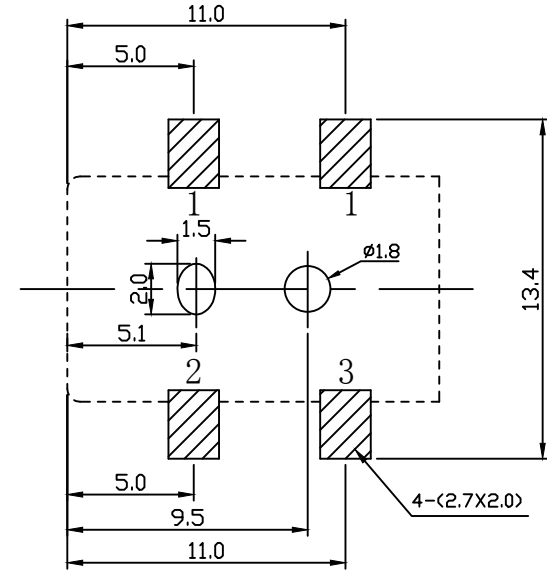


SCHEMATIC		
DCS-020-04A	φ2.0	
DCS-020-04B	φ2.5	

UNLESS OTHERWISE SPECIFIED, TOLERANCE ON DECIMAL: ±0.2



* REVISIONS				
LTR	DESCRIPTION	DATE	REVISED	APPROVED



T:1.6 Dimensions of PC board holes
Tolerance : ±0.05(Printed-top view)

6	COVER	1	PA9T	UL-94V0(BLACK)
5	HOUSING	1	PA9T	UL-94V0(BLACK)
4	PIN	1	H59(COPPER ALLOY)	Cu/Sn PLATED
3	CURVE PIECE	1	C2680 t=0.40	Sn PLATED
2	SPRING	1	C5191 t=0.30	Sn PLATED
1	CURVE PIECE	1	C2680 t=0.40	Sn PLATED
LTR	PART NAME	QTY	MATERIAL	REMARK
DWN	LILY	DATE	2013.03.13	3RD ANGLE PROJECTION NAME DC POWER JACK CAT. NO. DCS-020-04 DWN.NO. A-020-04
CHKD	ANDY	DATE	2013.03.13	
APVD	JON	DATE	2013.03.13	
JKCR Electronics Co., Ltd.				UNIT: mm
				001