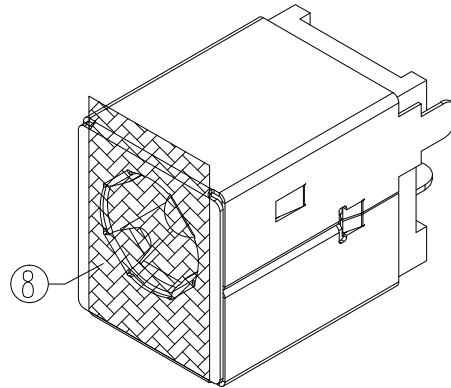
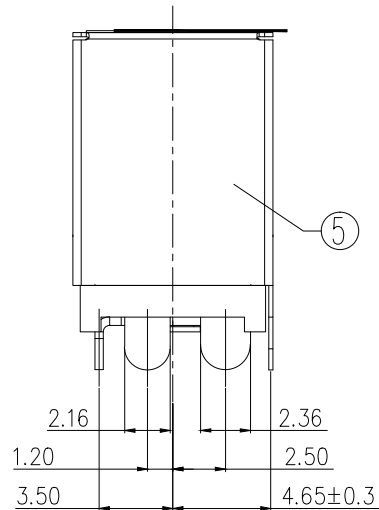
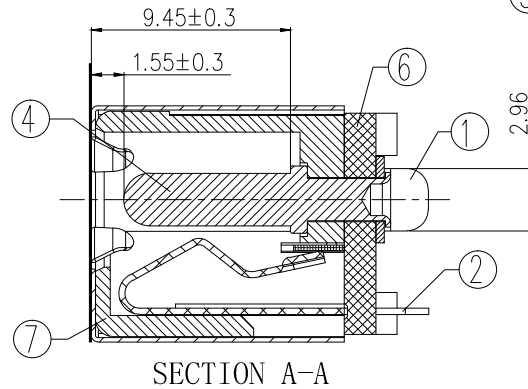
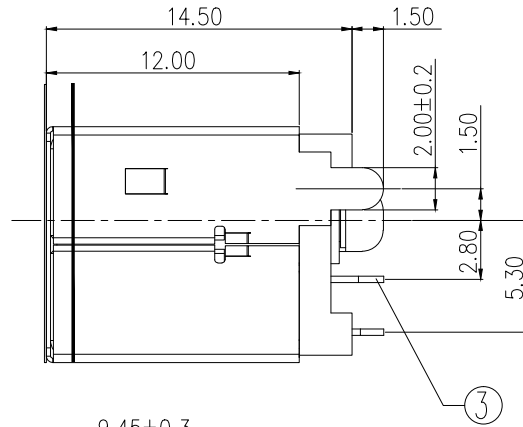
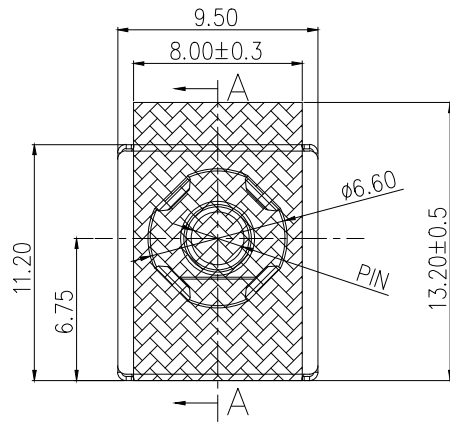


\* RoHS COMPLIANT \*

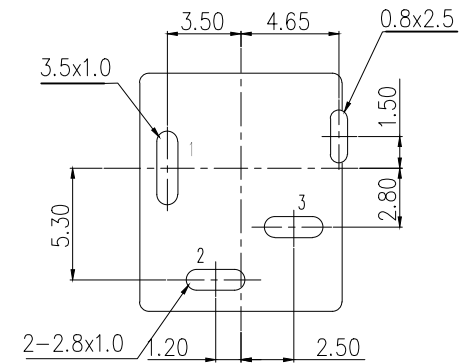


UNLESS OTHERWISE SPECIFIED, TOLERANCE ON DECIMAL: ±0.3

\* REVISIONS

LTR	DESCRIPTION	DATE	REVISED	APPROVED
-----	-------------	------	---------	----------

CAT. NO.	PIN	SCHEMATIC
DCD-020-86B	φ2.5	



T:1.6 Dimensions of PC board holes  
Tolerance : ±0.05(Printed-top view)

8	MYLAR	1	POLYIMIDE TAPE	
7	HOUSING	1	PA9T	UL-94V0(BLACK)
6	COVER	1	PA9T	UL-94V0(BLACK)
5	SHELL	1	SUS301 t=0.20	Ni PLATED
4	CENTER PIN	1	H59(COPPER ALLOY)	Ni PLATED
3	SHUNT TERMINAL	1	C2680 t=0.30	Ag PLATED
2	TIP SPRING	1	C5191 t=0.30	Ag PLATED
1	CENTER PIN TERMINAL	1	C2680 t=0.40	Ag PLATED
LTR	PART NAME	QTY	MATERIAL	REMARK

DWN	LILY	DATE	2017.12.22	3RD ANGLE PROJECTION	NAME	DC POWER JACK
CHKD	ANDY	DATE	2017.12.22		CAT. NO.	DCD-020-86B
APVD	JON	DATE	2017.12.22	UNIT: mm		

JKCR Electronics Co., Ltd.

DWN.NO. F-020-86 001