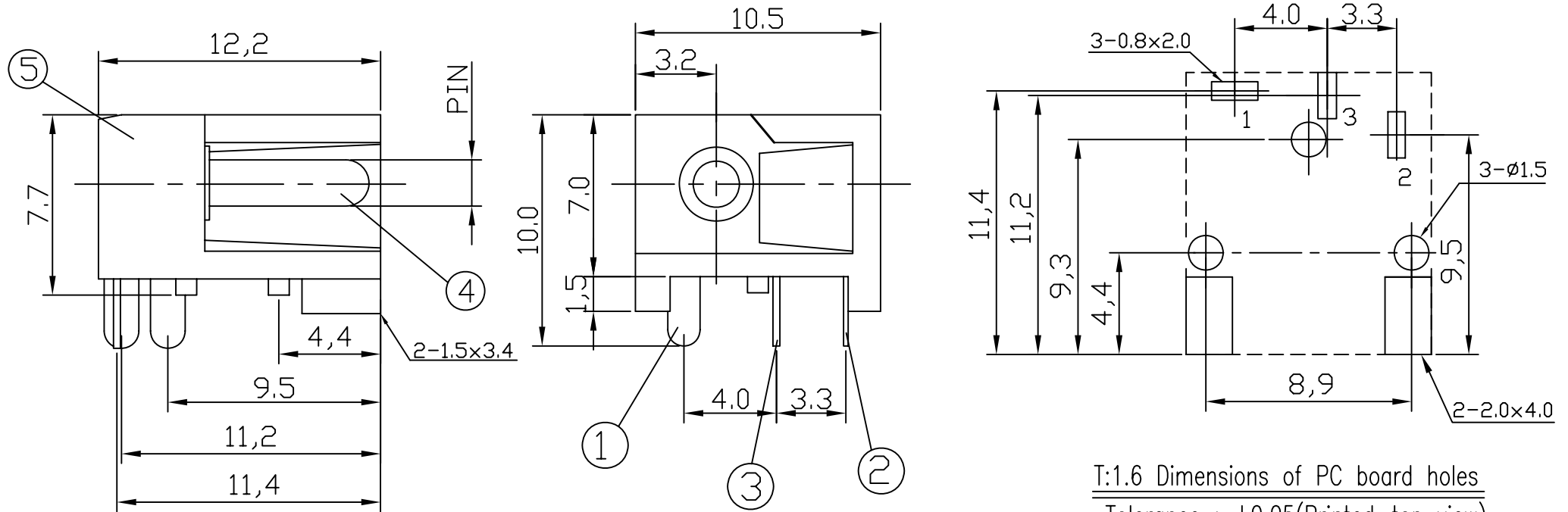


* REVISIONS				
LTR	DESCRIPTION	DATE	REVISED	APPROVED



T:1.6 Dimensions of PC board holes  
Tolerance : ±0.05(Printed-top view)

CAT. NO.	PIN	SCHEMATIC
DCD-020-74A	Ø2.0	
DCD-020-74B	Ø2.5	

UNLESS OTHERWISE SPECIFIED, TOLERANCE ON DECIMAL:±0.3

LEAD FREE

5	HOUSING	1	PA66	BLACK	
4	PIN	1	H59(COPPER ALLOY)	Cu/Sn PLATED	
3	TERMINAL 3#	1	C2680 t=0.3	Sn PLATED	
2	SPRING 2#	1	SUS 301 t=0.2	Sn PLATED	
1	TERMINAL 1#	1	C2680 t=0.3	Sn PLATED	
LTR	PART NAME		QTY	MATERIAL	REMARK
DWN	LILY	DATE	2014.11.18	3RD ANGLE PROJECTION	NAME DC POWER JACK
CHKD	ANDY	DATE	2014.11.18		CAT. NO. DCD-020-74
APVD	JON	DATE	2014.11.18		UNIT: mm
JKCR Electronics Co., Ltd.					001