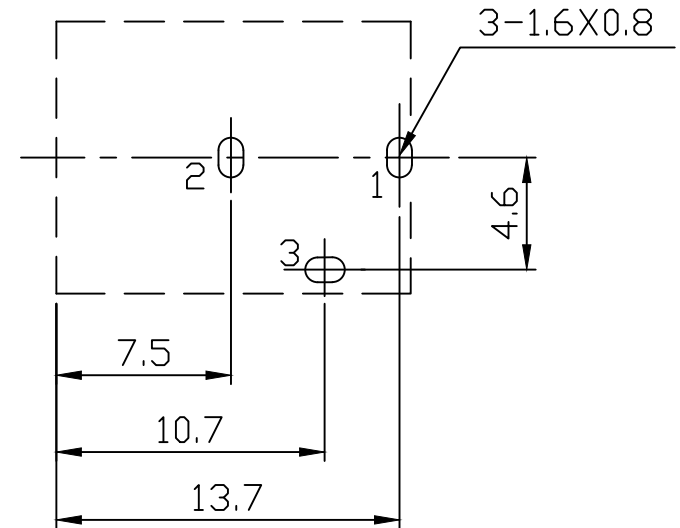
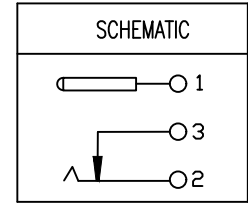


* REVISIONS				
LTR	DESCRIPTION	DATE	REVISED	APPROVED

PIN	DCD-020-61A	Ø2.0
	DCD-020-61B	Ø2.5



T:1.6 Dimensions of PC board holes

Tolerance : ±0.05(Printed-top view)

LEAD FREE

6	COVER	1	PBT	BLACK
5	HOUSING	1	PBT	BLACK
4	PIN	1	H59(COPPER ALLOY)	Ni PLATED
3	TERMINAL	1	C2680 t=0.35	Ag PLATED
2	CURVE PIECE	1	C5191 t=0.25	Ag PLATED
1	PIN TERMINAL	1	C2680 t=0.35	Ag PLATED

LTR	PART NAME	QTY	MATERIAL	REMARK
DWN	LILY	DATE	2013.07.18	3RD ANGLE PROJECTION
CHKD	ANDY	DATE	2013.07.18	
APVD	JON	DATE	2013.07.18	

NAME
DC POWER JACK
CAT. NO.
DCD-020-61
DWN.NO.
A-020-61

UNLESS OTHERWISE SPECIFIED, TOLERANCE ON DECIMAL:±0.3

JKCR Electronics Co., Ltd.

001