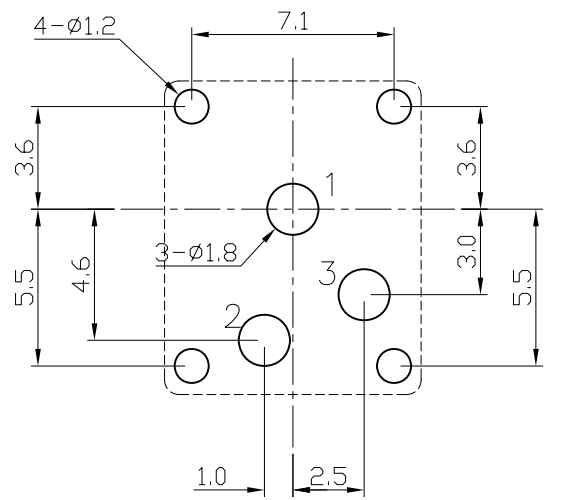
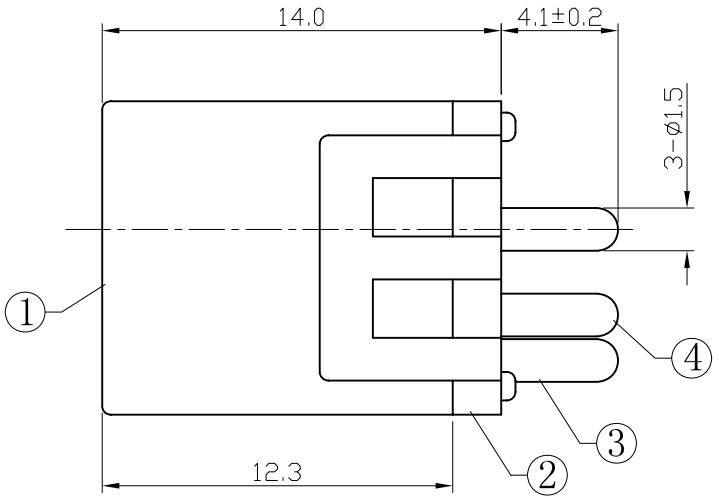
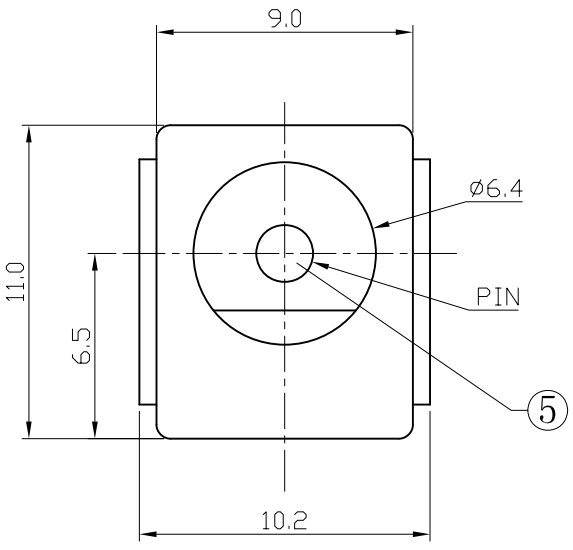


* REVISIONS				
LTR	DESCRIPTION	DATE	REVISED	APPROVED



T:1.6 Dimensions of PC board holes  
Tolerance : ±0.05(Printed-top view)

CAT. NO.	PIN	SCHEMATIC
DCD-020-52A	φ2.0	
DCD-020-52B	φ2.5	

# LEAD FREE

5	PIN	1	H59(COPPER ALLOY)	Ag PLATED
4	CURVE PIECE	1	C2680	Ag PLATED
3	SPRING	1	C5191	Ag PLATED
2	COVER	1	PBT 4815	UL-94VO(BLACK)
1	HOUSING	1	PBT 4815	UL-94VO(BLACK)
LTR	PART NAME	QTY	MATERIAL	REMARK
DWN	LILY	DATE	2013.06.06	3RD ANGLE PROJECTION NAME DC POWER JACK CAT. NO. DCD-020-52 DWN.NO. F-020-52
CHKD	ANDY	DATE	2013.06.06	
APVD	JON	DATE	2013.06.06	
JKCR Electronics Co., Ltd.				001

UNLESS OTHERWISE SPECIFIED, TOLERANCE ON DECIMAL: ±0.3