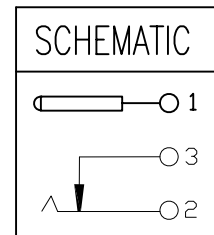
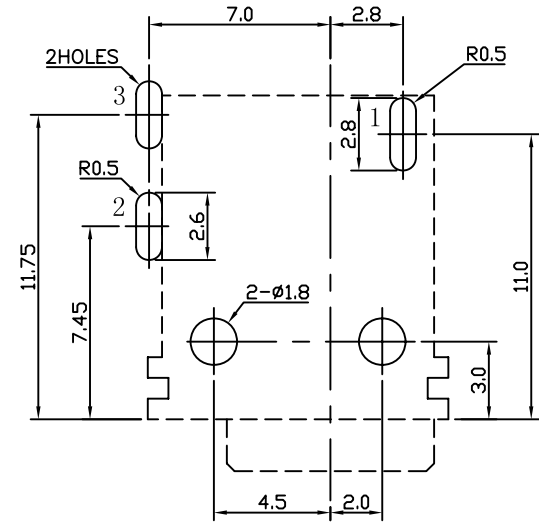
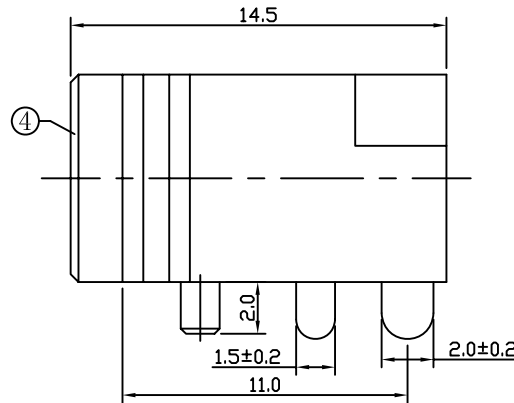
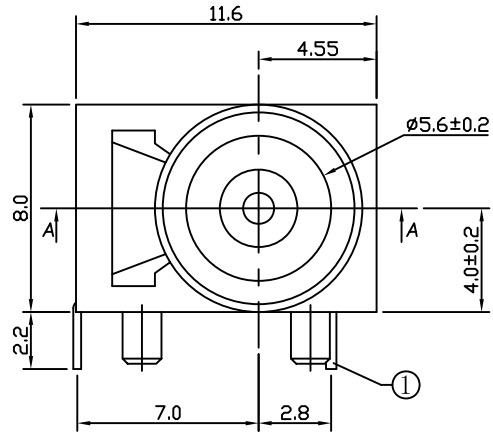
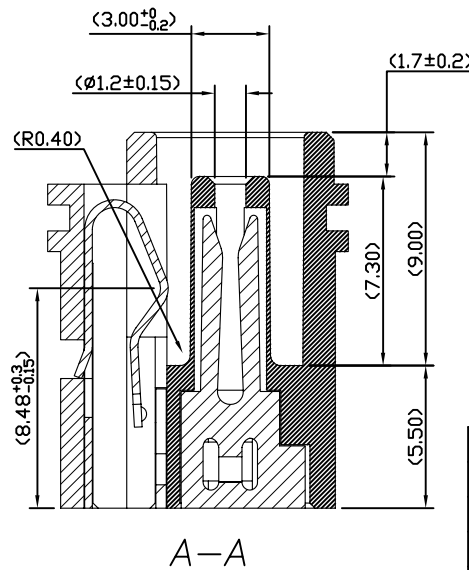
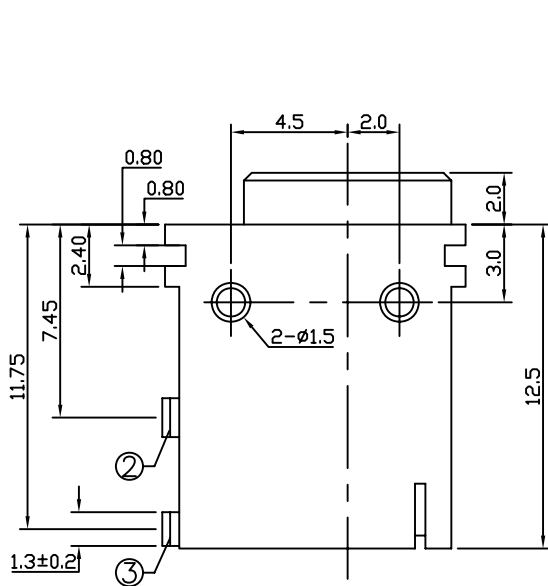


* REVISIONS

LTR	DESCRIPTION	DATE	REVISED	APPROVED



T:1.6 Dimensions of PC board holes
Tolerance : ±0.05(Printed-top view)



LEAD FREE

4	HOUSING	1	PA9T	UL-94V0(BLACK)
3	CURVE PIECE	1	C2680 t=0.40	Ag PLATED
2	SPRING PIECE	1	C5191 t=0.30	Ag PLATED
1	CONTACT FOOT	1	C5191 t=0.50	Ag PLATED
LTR	PART NAME	QTY	MATERIAL	REMARK
DWN	LILY	DATE	2013.06.07	3RD ANGLE PROJECTION NAME DC POWER JACK
CHKD	ANDY	DATE	2013.06.07	
APVD	JON	DATE	2013.06.07	
UNIT: mm				CAT. NO. DCD-020-42
JKCR Electronics Co., Ltd.				DWN.NO. A-020-42
				001

UNLESS OTHERWISE SPECIFIED, TOLERANCE ON DECIMAL: ±0.3