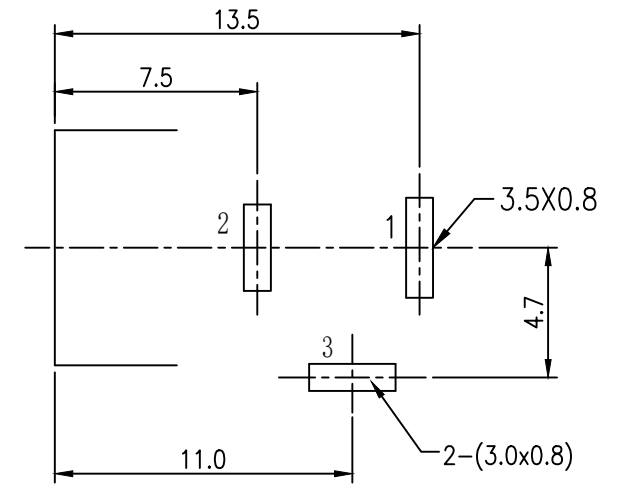
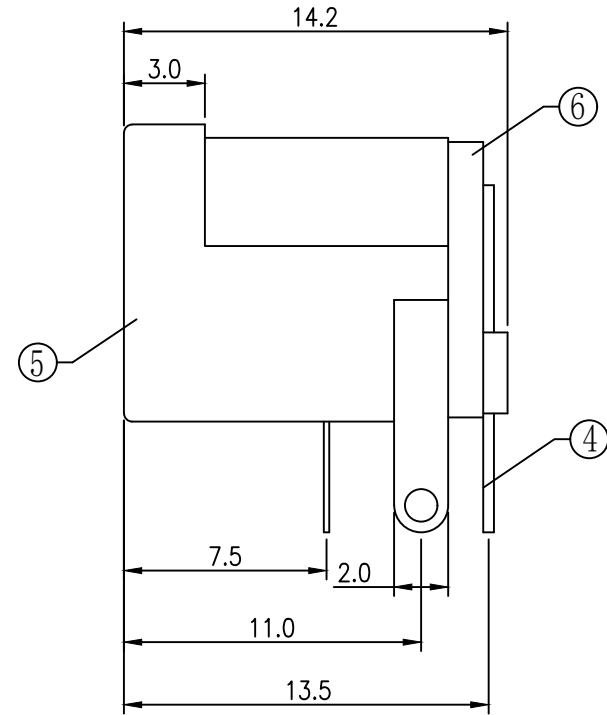
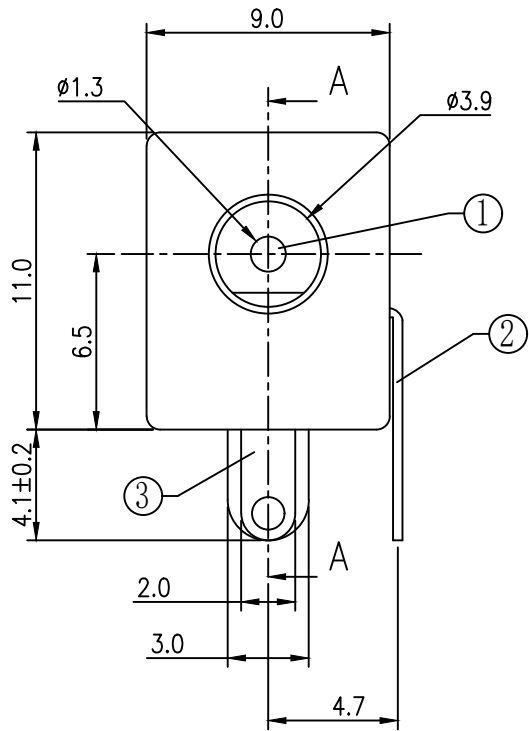
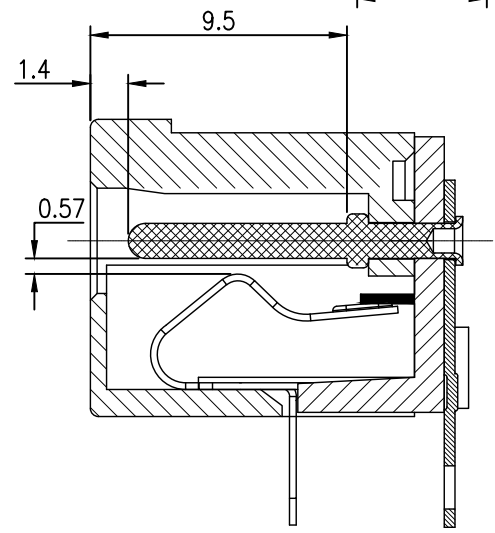


* REVISIONS				
LTR	DESCRIPTION	DATE	REVISED	APPROVED

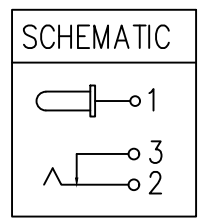


T:1.6 Dimensions of PC board holes  
Tolerance : ±0.05(Printed-top view)



SECTION A-A

UNLESS OTHERWISE SPECIFIED, TOLERANCE ON DECIMAL: ±0.3



LEAD FREE

6	COVER	1	PBT 4815	UL-94V0(BLACK)
5	HOUSING	1	PBT 4815	UL-94V0(BLACK)
4	FLAT PIECE	1	C2680 t=0.40	Sn PLATED
3	SPRING	1	SUS301 t=0.25	Sn PLATED
2	CURVE PIECE	1	C2680 t=0.35	Sn PLATED
1	PIN	1	H59(COPPER ALLOY)	Ni PLATED
LTR	PART NAME	QTY	MATERIAL	REMARK
DWN	LILY	DATE	2013.04.23	3RD ANGLE PROJECTION NAME DC POWER JACK CAT. NO. DCD-020-32 DWN.NO. F-020-32
CHKD	ANDY	DATE	2013.04.23	
APVD	JON	DATE	2013.04.23	
JKCR Electronics Co., Ltd.				001