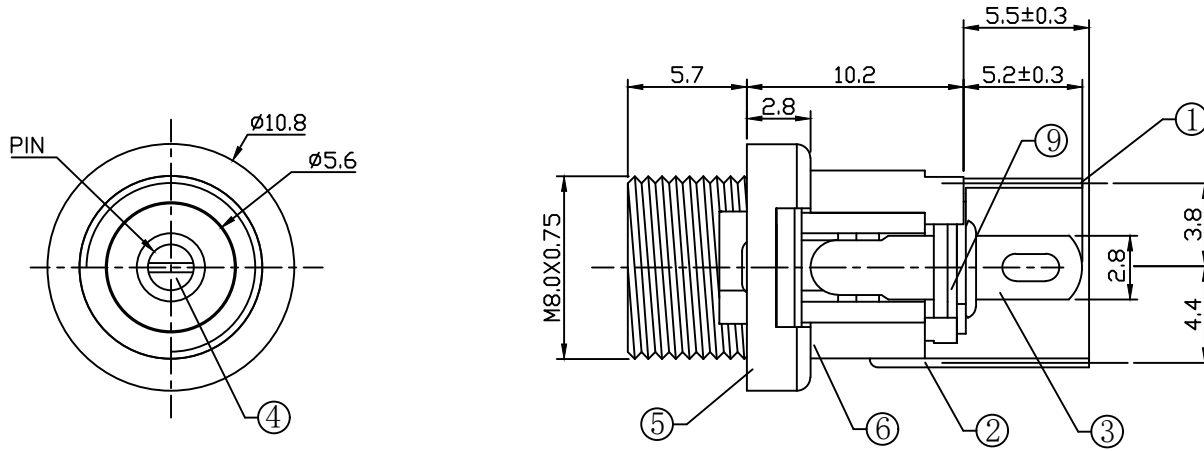
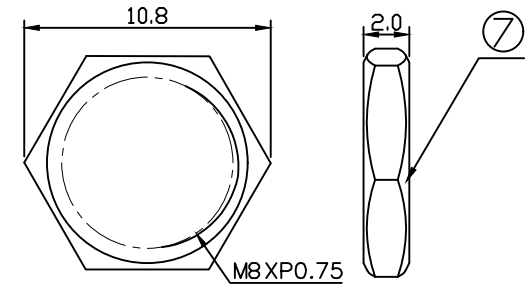


* RoHS COMPLIANT *



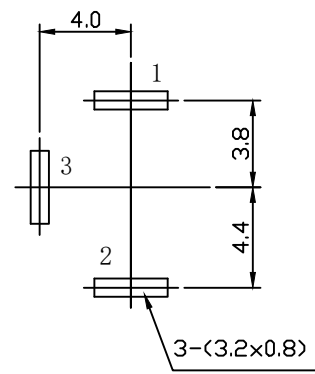
* REVISIONS				
LTR	DESCRIPTION	DATE	REVISED	APPROVED



Nut

Washer

CAT. NO.	PIN	SCHEMATIC
DCD-020-24MKA	$\phi 2.0$	
DCD-020-24MKB	$\phi 2.5$	



T:1.6 Dimensions of PC board holes
Tolerance : ±0.05(Printed-top view)

9	GREEN WASHER	1	PF	
8	WASHER	1	H59(COPPER ALLOY)	Ni PLATED
7	NUT	1	H59(COPPER ALLOY)	Ni PLATED
6	HOUSING	1	PBT 4815	UL-94V0(BLACK)
5	AXIS SUPPORT	1	H59(COPPER ALLOY)	Ni PLATED
4	PIN	1	H59(COPPER ALLOY)	Ni PLATED
3	SPRING	1	C5191 t=0.5	Sn PLATED
2	CURVE PIECE	1	C2680 t=0.4	Sn PLATED
1	FLAT PIECE	1	C2680 t=0.4	Sn PLATED
LTR	PART NAME	QTY	MATERIAL	REMARK

DWN	LILY	DATE	2016.02.23	3RD ANGLE PROJECTION	NAME	DC POWER JACK
CHKD	ANDY	DATE	2016.02.23		CAT. NO.	
APVD	JON	DATE	2016.02.23	UNIT: mm	DWN.NO.	B-020-24

UNLESS OTHERWISE SPECIFIED, TOLERANCE ON DECIMAL: ±0.3

JKCR Electronics Co., Ltd.

003