

* RoHS COMPLIANT *

* REVISIONS				
LTR	DESCRIPTION	DATE	REVISED	APPROVED

SPECIFICATIONS:

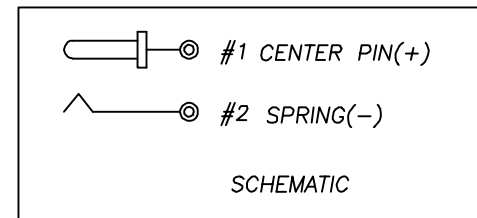
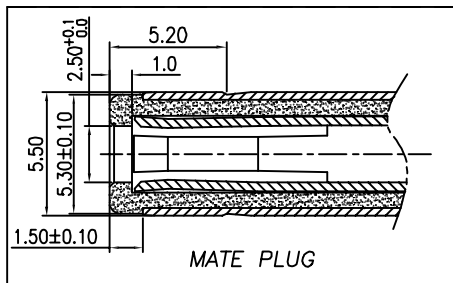
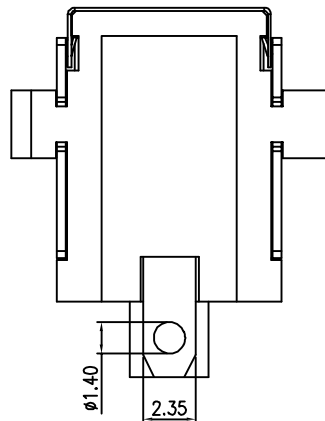
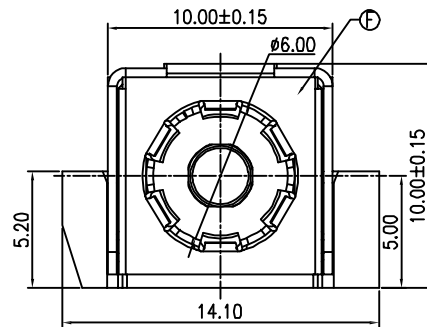
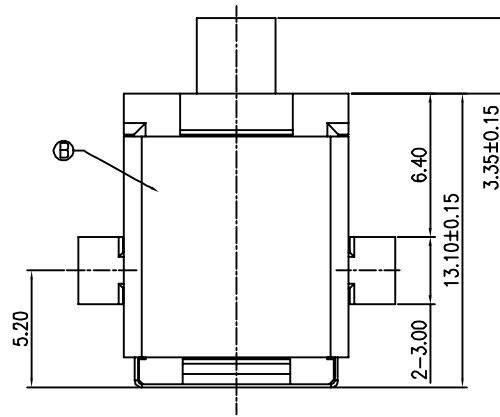
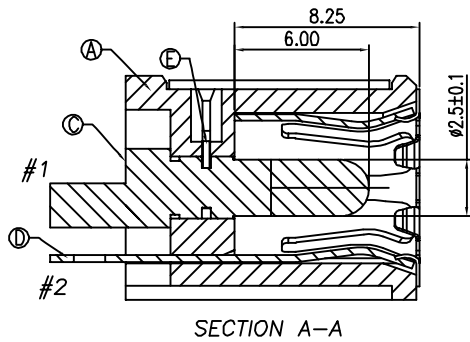
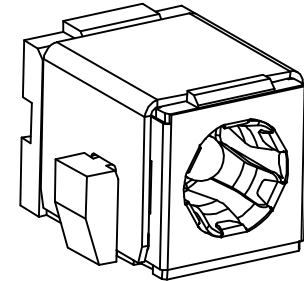
- ELECTRICAL CHARACTERISTICS:
 - RATING: 20V 8A MAX
 - CONTACT RESISTANCE: 30mΩ MAX.(INITIAL)
 - DIELECTRIC WITHSTANDING VOLTAGE: 500V AC FOR ONE MINUTE
 - INSULATION RESISTANCE: 100MΩ MIN. MEASURED BY 500V DC
- MECHANICAL CHARACTERISTICS:
 - INSERTION FORCE : 3.0 Kgf MAX.
 - WITHDRAWAL FORCE : 0.2Kgf MIN.
- LIFE TEST: 5,000 CYCLES MIN.

DCD-020-145 B

系列代碼

流水碼

中心 $\phi 2.5$



F	COVER	1	SUS t=0.15		
E	STOPPER	1	SUS t=0.30		
D	TERMINAL SPRING	1	COPPER ALLOY t=0.30	Sn /Ni	
C	CENTER PIN	1	COPPER ALLOY	GOLD FLASH	
B	SHELL	1	SUS t=0.40		
A	HOUSING	1	THERMOPLASTIC	BLACK	
NO.	DESCRIPTION	QTY	MATERIAL	PLATING & COLOR	
DWN	LILY	DATE	2020.02.19	3RD ANGLE PROJECTION	NAME DC POWER JACK
CHKD	ANDY	DATE	2020.02.19	UNIT: mm	CAT. NO. DCD-020-145B
APVD	JON	DATE	2020.02.19		DWN.NO. A-DCD-020-145
JKCR Electronics Co., Ltd.					002

UNLESS OTHERWISE SPECIFIED, TOLERANCE ON DECIMAL: ± 0.3