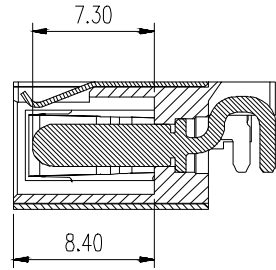
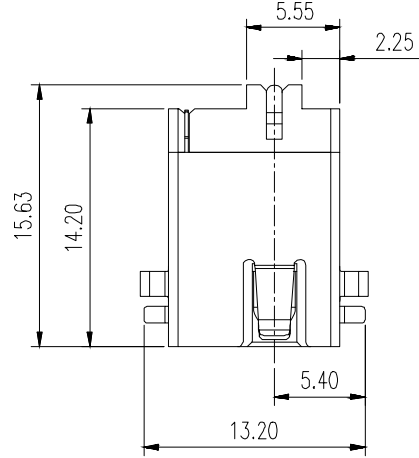
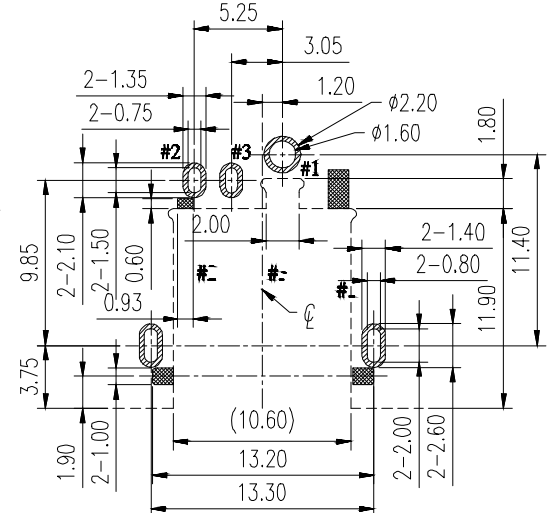
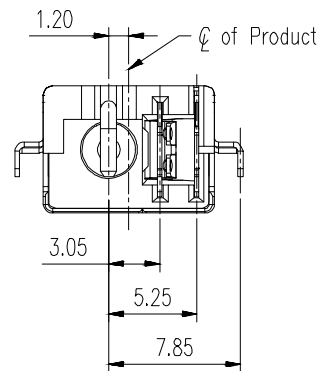
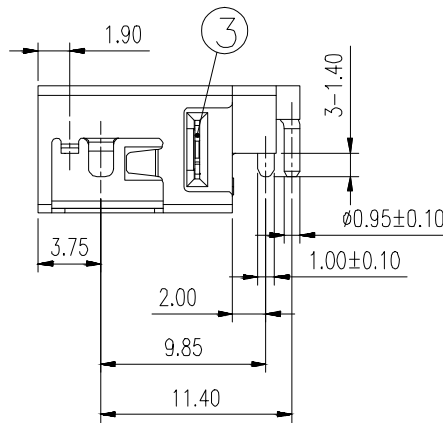
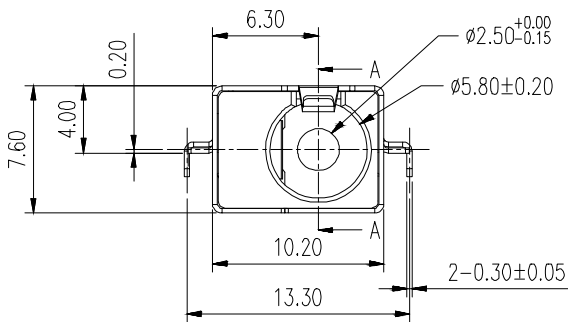
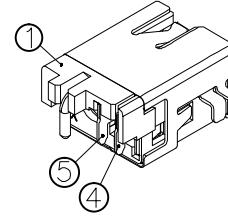
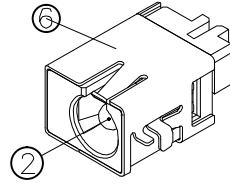


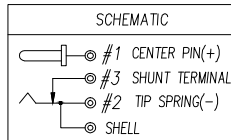
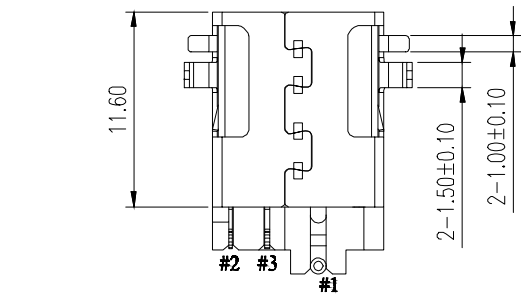
* RoHS COMPLIANT *



Section A-A



Recommended P.C.B. Layout
Layut Tolerance = $\pm 0.05\text{mm}$



UNLESS OTHERWISE SPECIFIED, TOLERANCE ON DECIMAL: ± 0.3

* REVISIONS

LTR	DESCRIPTION	DATE	REVISED	APPROVED
-----	-------------	------	---------	----------

SPECIFICATIONS:

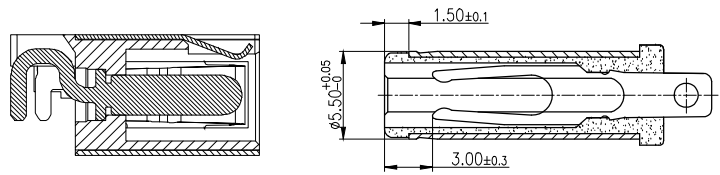
- ELECTRICAL CHARACTERISTICS:
 - RATING: DC 20V, 9A
 - CONTACT RESISTANCE: 30m Ω MAX.(INITIAL)
 - DIELECTRIC WITHSTANDING VOLTAGE: 500V AC FOR ONE MINUTE.
 - INSULATION RESISTANCE: 100M Ω MIN. MEASURED BY 500 VDC
- MECHANICAL CHARACTERISTICS:
 - INSERTION FORCE : 3.0 KG Max.
 - WITHDRAWAL FORCE : 0.3~3.0 KG
- LIFE TEST: 5,000 CYCLES MIN.

LTR	PART NAME	QTY	MATERIAL	REMARK
6	SHELL	1	C5191 t=0.30	50 μ " Ni PLATED OVERALL
5	SHUNT TERMINAL	1	C2680 t=0.30	GOLD FLASH ON CONTACT AREA,
4	TIP SPRING	1	C5191 t=0.25	100 μ "~120 μ " TIN ON SOLDER TAILS
3	TERMINAL	1	SUS304 t=0.30	
2	CENTER PIN	1	BRASS	GOLD FLASH UNDER-PLATED OVERALL
1	HOUSING	1	LCP	UL-94V0(BLACK)
DWN	LILY	DATE	2019.01.31	3RD ANGLE PROJECTION NAME DC POWER JACK
CHKD	ANDY	DATE	2019.01.31	CAT. NO. DCD-020-140
APVD	JON	DATE	2019.01.31	UNIT: mm
JKCR Electronics Co., Ltd.				DWN.NO. A-020-140
				001

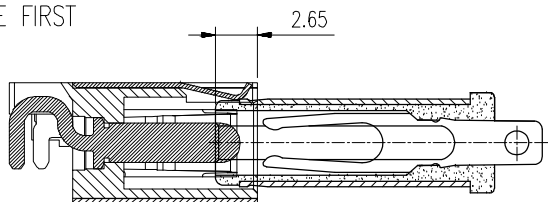
* RoHS COMPLIANT *

		* REVISIONS		
LTR	DESCRIPTION	DATE	REVISED	APPROVED

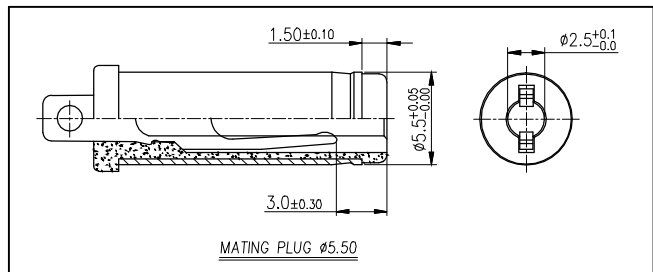
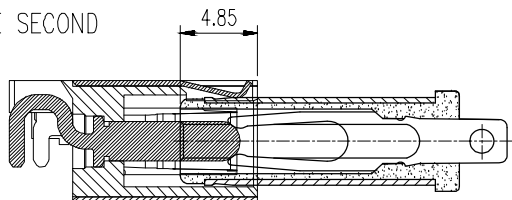
MATING DRAWING



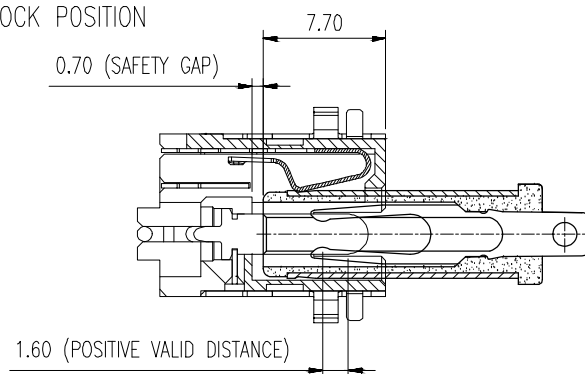
1. NEGATIVE FIRST



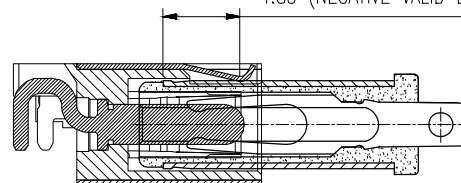
2. POSITIVE SECOND



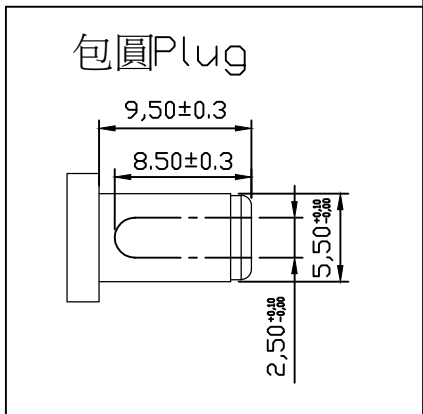
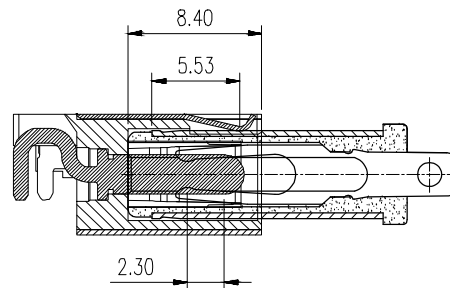
3. LOCK POSITION



4.83 (NEGATIVE VALID DISTANCE)



4. PLUG WAS INSERTED INTO DC JACK TOTALLY



DWN	LILY	DATE	2019.01.31	3RD ANGLE PROJECTION	NAME	DC POWER JACK
CHKD	ANDY	DATE	2019.01.31		CAT. NO.	DCD-020-140
APVD	JON	DATE	2019.01.31		UNIT: mm	
JKCR Electronics Co., Ltd.					DWN.NO.	A-020-140
						001