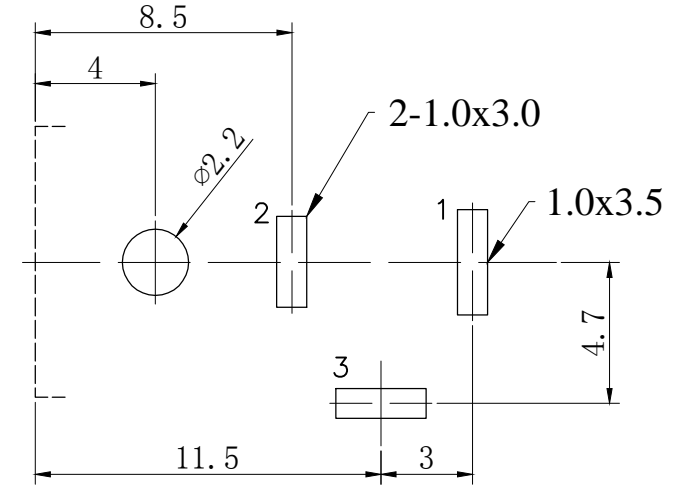
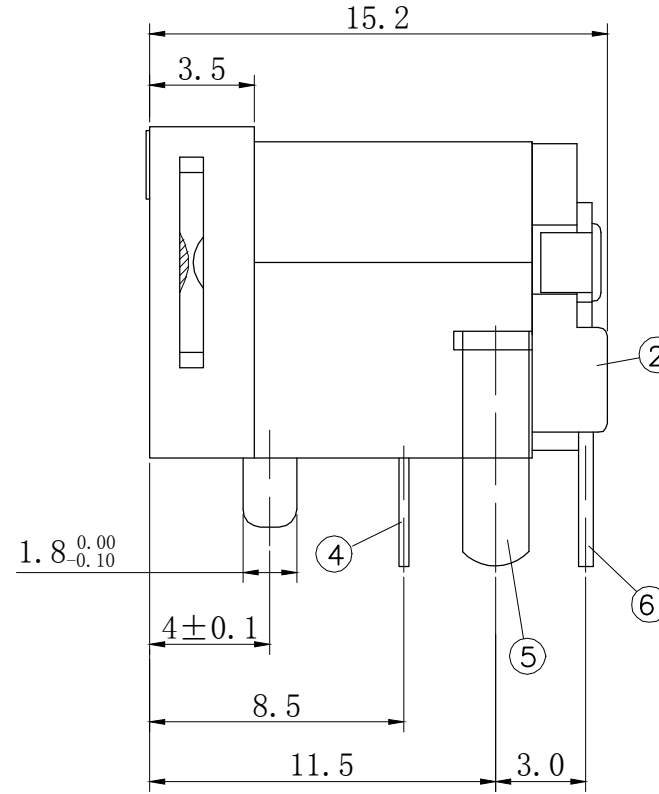
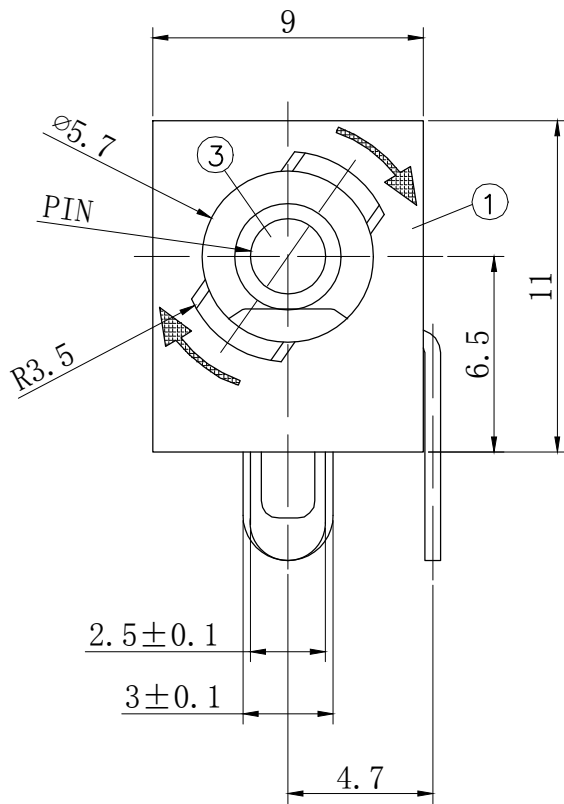


* RoHS COMPLIANT *

* REVISIONS				
LTR	DESCRIPTION	DATE	REVISED	APPROVED



PCB LAYOUT
TOP VIEW

CAT. NO.	PIN	SCHEMATIC
DCD-020-138A	φ2.0	
DCD-020-138B	φ2.5	

6	TERMINAL	1	C2680	t=0.5	Sn	PLATED
5	SHUNT TERMINAL	1	C2680	t=0.5	Sn	PLATED
4	TIP TERMINAL	1	C5191	t=0.3	Sn	PLATED
3	PIN	1	BRASS BAR		Ni	PLATED
2	COVER	1	PBT			UL-94V0(BLACK)
1	BODY	1	PBT			UL-94V0(BLACK)

LTR	PART NAME	QTY	MATERIAL	REMARK
DWN	LILY	DATE	2018.01.22	3RD ANGLE PROJECTION NAME DC POWER JACK CAT. NO. DCD-020-138 DWN.NO. B-020-138
CHKD	ANDY	DATE	2018.01.22	
APVD	JON	DATE	2018.01.22	

UNLESS OTHERWISE SPECIFIED, TOLERANCE ON DECIMAL: ±0.3

JKCR Electronics Co., Ltd.

B-020-138 001