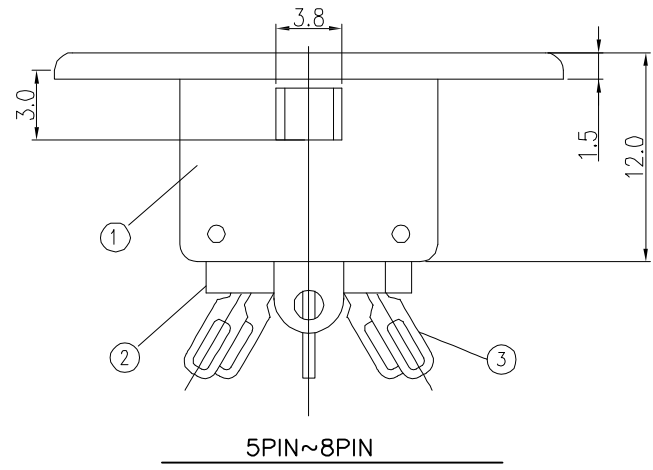
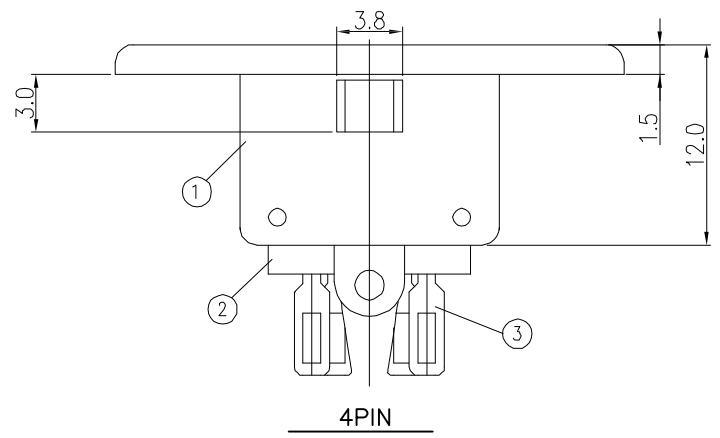
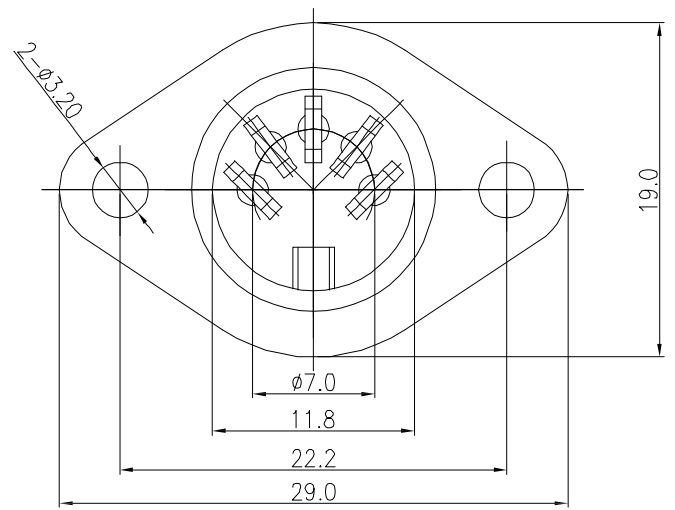


\* RoHS COMPLIANT \*

\* REVISIONS

LTR	DESCRIPTION	DATE	REVISED	APPROVED



- SPECIFICATIONS:
- 1.CONTACT RESISTANCE: 20m OHM MAX.
  - 2.INSERTION RESISTANCE: 100M OHM MIN. AT 500V D.C.
  - 3.DIELECTRIC STRENGTH:1,000V AC FOR ONE MINUTE.
  - 4.INSULATION FOREC: 6.5KG. MAX.
  - 5.WITHDRAWAL FOREC: 1~5KG.
  - 6.RATING: 100V AC 2A

UNLESS OTHERWISE SPECIFIED, TOLERANCE ON DECIMAL: ±0.3

ARRANGEMENT OF CONTACTS	72°	45.0°	60.0°	45°	45°
NO OF CONTACTS	4	5	6	7	8
MODEL NO	MD-09304-4	MD-09304-5	MD-09304-6	MD-09304-7	MD-09304-8

3	CONTACT TERMINAL	4~8	C2680	t=0.70	Sn PLATED	
2	HOUSING	1	PBT		UL-94V0(BLACK)	
1	SOCKET CASE	1	SPCC	t=0.40	Ni PLATED	
LTR	PART NAME	QTY	MATERIAL	REMARK		
DWN	LILY	DATE	2020.03.05	3RD ANGLE PROJECTION	NAME S JACK	
CHKD	ANDY	DATE	2020.03.05		CAT. NO. MD-09304-X	
APVD	JON	DATE	2020.03.05		UNIT: mm	
JKCR Electronics Co., Ltd.					DWN.NO. T-09304	001