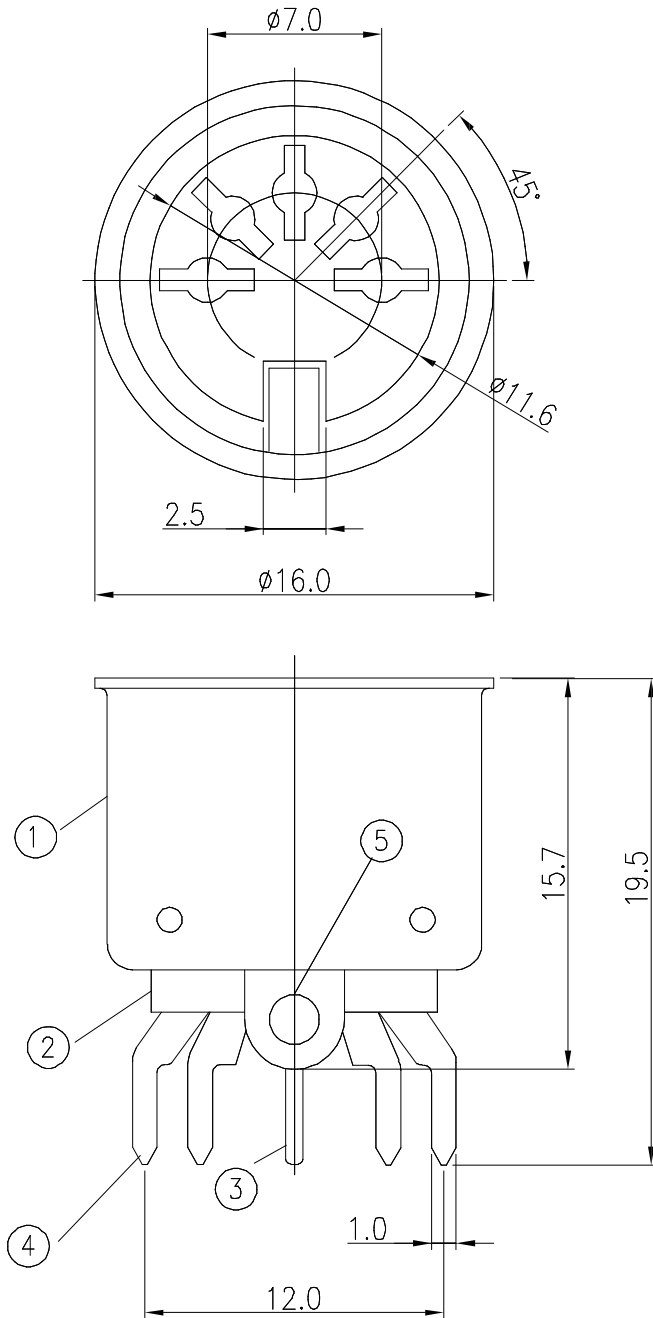
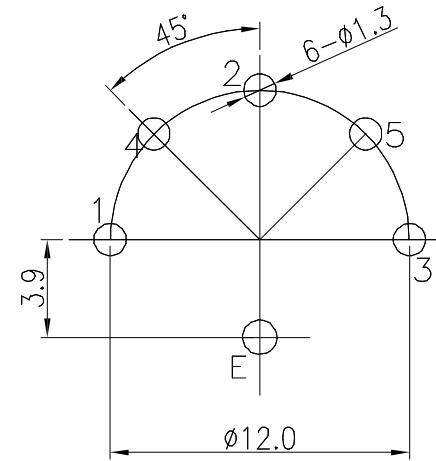


* RoHS COMPLIANT *



UNLESS OTHERWISE SPECIFIED, TOLERANCE ON DECIMAL: ± 0.3

* REVISIONS				
LTR	DESCRIPTION	DATE	REVISED	APPROVED



P.C.B LAYOUT
(TOP VIEW)

5	RIVET	1	AL			
4	CONTACT TERMINAL	5	C2680 t=0.70	Sn	PLATED	
3	EARTH TERMINAL	1	C5191 t=0.25	Sn	PLATED	
2	HOUSING	1	PBT	UL-94V0(BLACK)		
1	SOCKET CASE	1	SPCC t=0.40	Ni	PLATED	
LTR	PART NAME	QTY	MATERIAL	REMARK		
DWN	LILY	DATE	2018.06.27	3RD ANGLE PROJECTION	NAME DIN JACK	
CHKD	ANDY	DATE	2018.06.27		CAT. NO. MD-09203-5	
APVD	JON	DATE	2018.06.27		UNIT: mm	
JKCR Electronics Co., Ltd.					DWN.NO. T-09203	001